

LEADED CERAMIC RESONATOR



HXZT

*C = Pb in ceramic (exempt per RoHS 2002/95/EC Annex (7)) *C/RoHS Compliant



FEATURES:

- Low resonant impedance.
- Small size, Light weight.
- Low cost timing solution.
- Excellent environmental resistance.

APPLICATIONS:

- Remote control systems in vehicles
- Clock oscillation for microcontrollers
- Telephones
- Household electric appliances

STANDARD SPECIFICATIONS:

PARAMETERS

ABRACON P/N	HXZT
Frequency Range	1.80 MHz to 50.00 MHz
Operating temperature	- 20°C to + 80°C (see options)
Storage temperature	- 40°C to + 85°C
Oscillation Freq. Range	± 0.3% max.
Capacitance Change	± 20% max.

Part Number (XX.XX denotes freq. in MHz)	Frequency Tolerance at 25°C	Frequency Stability @ - 20°C to +80°C	IC Tested	Aging in 10 years	Vdd	Total
HXZT-XX.XXMHZ 1.80 MHz - 6.00 MHz	± 0.5%	± 0.5%	1/6TC4069UBPx2	±0.3%	5V	±1.3%
HXZT-XX.XXMHZ 6.01 MHz - 8.00 MHz	± 0.5%	± 0.5%	1/6TC4069UBPx2	±0.3%	5V	±1.3%
HXZT-XX.XXMHZ 8.01 MHz - 13.00 MHz	± 0.5%	± 0.5%	1/6TC4069UBPx2	±0.5%	5V	±1.5%
HXZT-XX.XXMHZ 13.01 MHz - 50.00 MHz	± 0.5%	± 0.3%	1/6TC74HCU04x2	±0.3%	5V	±1.0%

FREQ.(MHz)	{Z} max.
1.8 ~ 2.99	80Ω
3.0 ~ 3.49	60Ω
3.50 ~ 4.99	30Ω
5.0 ~ 6.99	30Ω
7.00 ~ 13.0	30Ω
13.01 ~ 31.99	30Ω
32.0 ~ 50.0	35Ω

Frequency (MHz)	C1=C2 (pF) ±20%
1.80 ~ 6.00	30.0
6.01 ~ 8.00	30.0
8.01 ~ 20.00	30.0
20.01~25.99	15.0
26.00~50.00	5.0

OPTIONS & PART IDENTIFICATION:

[Left blank if standard]

HXZT - Frequency (MHz) - AMMO

AMMO: Ammo packing



LEADED CERAMIC RESONATOR

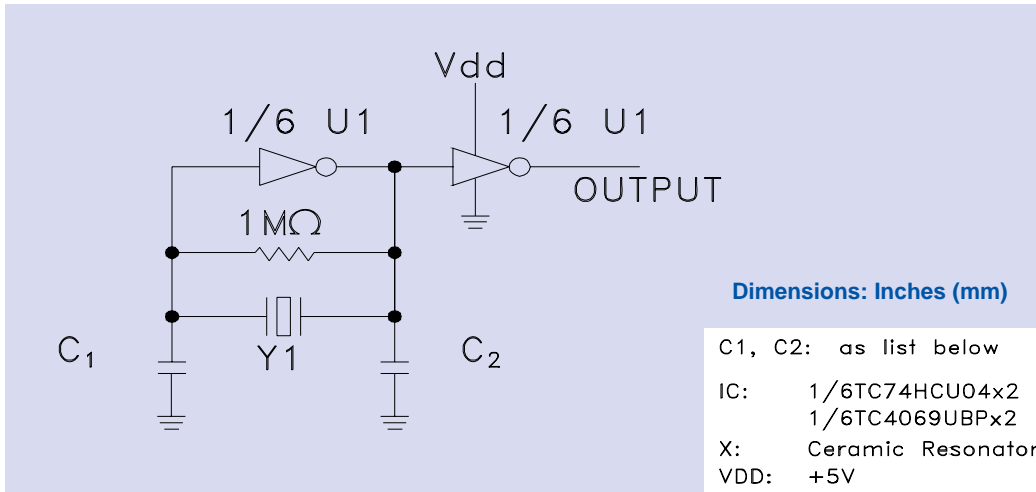


HXZT

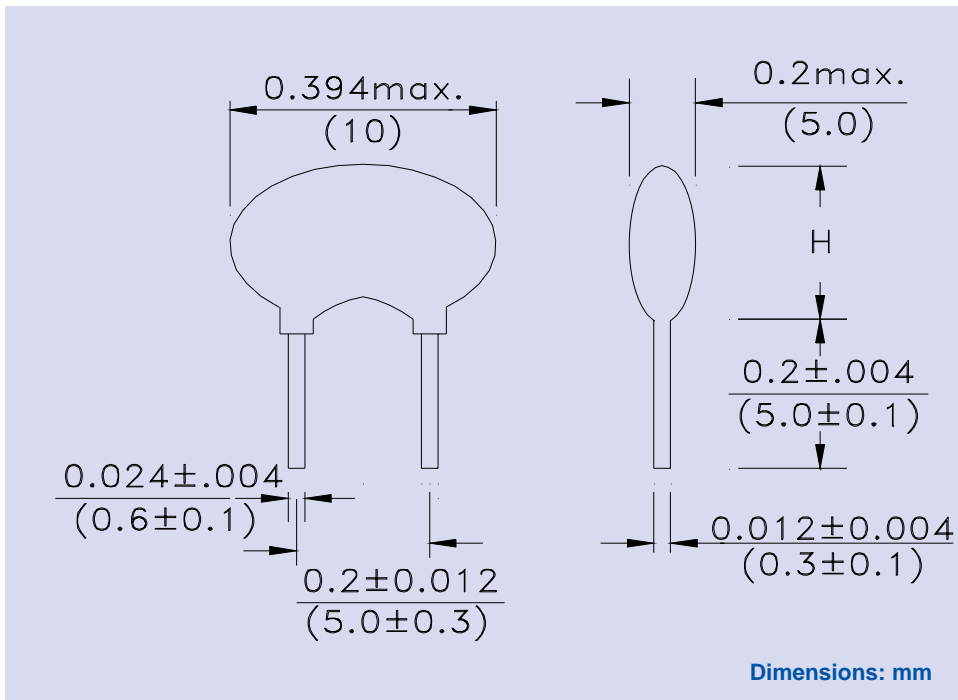
*C = Pb in ceramic (exempt per RoHS 2002/95/EC Annex (7)) *C/RoHS Compliant



TEST CIRCUIT:



OUTLINE DRAWING:



FREQ. (MHz)	H (max.)
1.80 ~ 8.00	0.295(7.5)
6.00 ~ 13.00	0.395(10)
13.01 ~ 23.99	0.395(10)
24.00 ~ 31.99	0.295(7.5)
32.00 ~ 60.00	0.256(6.5)