

INDUSTRIAL GRADE CERAMIC RESONATOR



HWZT-MS

Pb in ceramic
(exempt per RoHS 2002/95/EC Annex (7))

RoHS
Compliant

FEATURES:

- Excellent environmental resistance
- Industrial Grade
- Low resonant impedance
- Low cost timing solution
- Small size, Light weight

APPLICATIONS:

- Electric appliances
- Remote controls
- Microprocessor clocks
- Industrial controllers
- General timing

STANDARD SPECIFICATIONS:

| Part Number (XX.XX denotes frequency in MHz) | Frequency Tolerance at 25°C | Frequency Stability at - 20°C to +80°C | Aging in 10 years | IC Tested | Vdd | Total |
|---|-----------------------------------|--|-------------------------|-------------------|------------|--------------|
| HWZT-XX.XXMS 2.000 MHz - 6.00 MHz | ± 0.5% | ± 0.5% | ±0.2% | MC14069UBP | 5V | ±0.9% |
| HWZT-XX.XXMS 6.01 MHz - 8.00 MHz | ± 0.5% | ± 0.5% | ±0.3% | MC14069UBP | 5V | ±1.2% |
| HWZT-XX.XXMS 8.01 MHz - 13.49 MHz | ± 0.5% | ± 0.5% | ±0.5% | MC14069UBP | 12V | ±1.5% |
| HWZT-XX.XXMS 13.50 MHz - 50.00 MHz | ± 0.5% | ± 0.5% | ±0.3% | TC74HCU04 | 5V | ±1.0% |

| ITEM | SPECIFICATION |
|-----------------------------|------------------|
| Storage temperature: | - 40°C to +125°C |
| Oscillation Frequency Range | ± 0.3% max. |
| Capacitance Change | ± 20% max. |

| FREQ (MHz) | H (max.) | C1=C2 (pF) ±20% built in |
|---------------|----------|--------------------------|
| 2.00 ~ 6.00 | 8.0 | 30.0 |
| 6.01 ~ 8.00 | 8.0 | 30.0 |
| 8.01 ~ 20.00 | 10.0 | 30.0 |
| 20.01 ~ 25.99 | 10.0 | 15.0 |
| 26.0 ~ 50.00 | 10.0 | 5.0 |

MARKING:

XX.XXMZY
- XX.XX (Frequency in MHz)
(First 3 digits of frequency) Ex: 4.00, 3.57, 2.44, 32.0;
Z Month (A to L); Y Year 2 for 2002

OPTIONS AND PART IDENTIFICATION:

(Left blank if standard)

HWZT - XX.XXMS - CXX - IOXX - SOXX - AOXX - Packaging

XX.XX: Freq in MHz

C Option:

Specify Cap value in pF

SO Option:

Frequency Stability in %

AO Option:

Aging in %

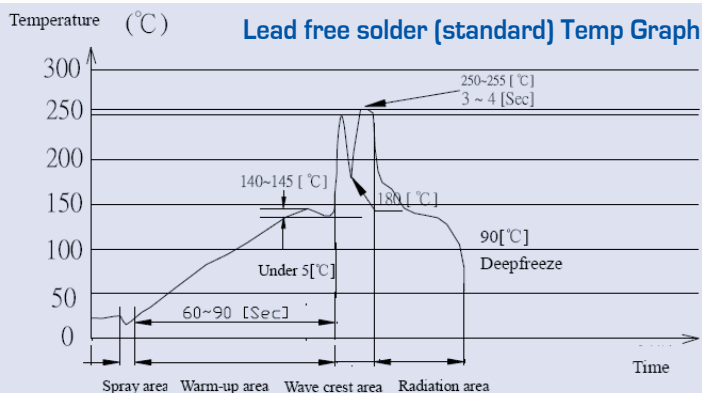
IO Option:

Frequency Tolerance in %

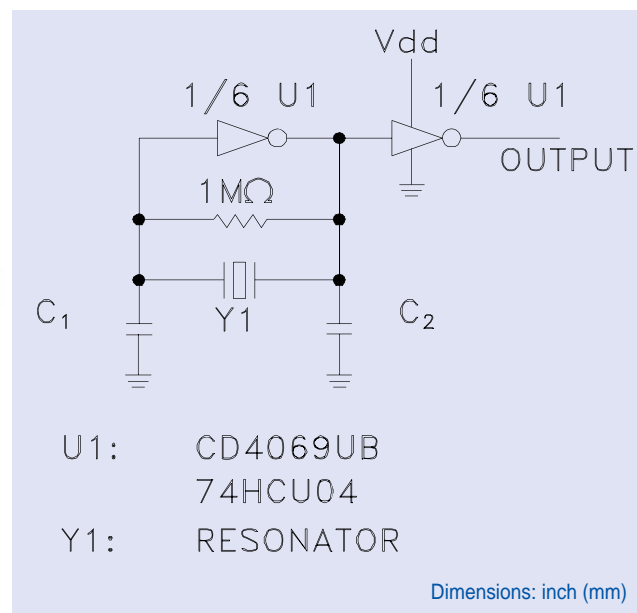
Packaging option:

Ammo for ammo packing

WAVE PEAK SOLDER PROFILE:



TEST CIRCUIT:



ABRACON IS
ISO 9001 / QS 9000
CERTIFIED



Visit www.abracon.com for Terms & Conditions of Sale **Revised: 07.16.07**
30332 Esperanza, Rancho Santa Margarita, California 92688
tel 949-546-8000 | fax 949-546-8001 | www.abracon.com

INDUSTRIAL GRADE CERAMIC RESONATOR



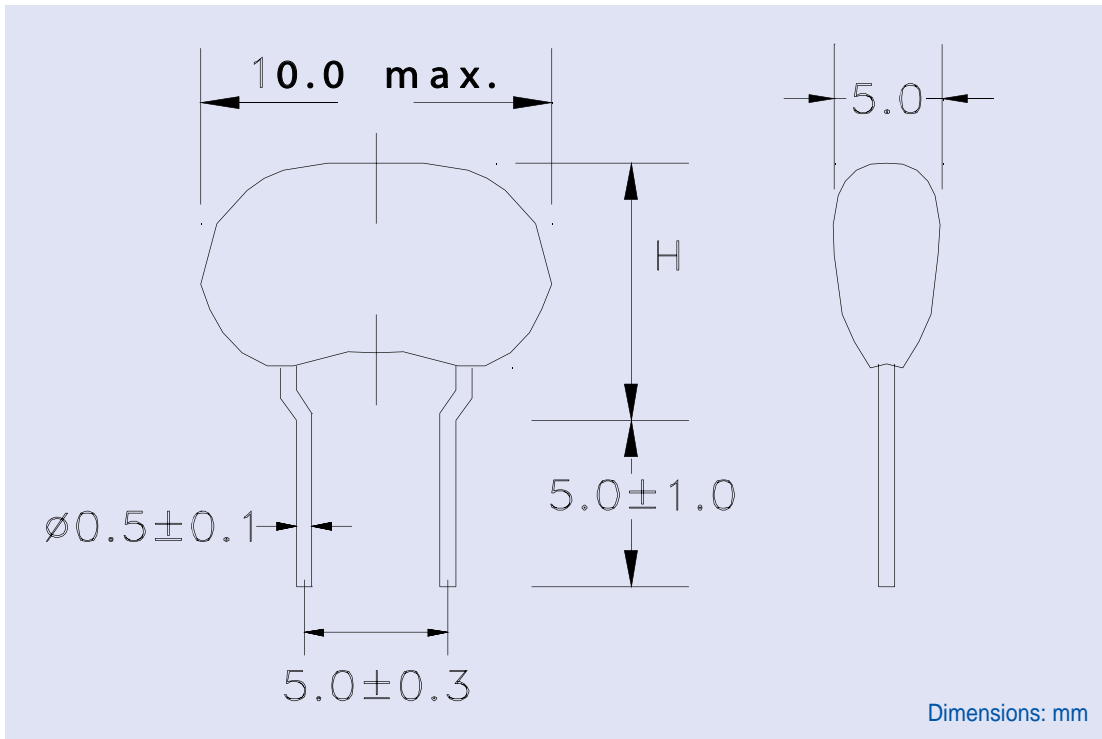
Size Varies

HWZT-MS

Pb in ceramic
(exempt per RoHS 2002/95/EC Annex (7))

RoHS
Compliant

OUTLINE DRAWING:



TAPE & REEL: T = Tape and reel 1,000pcs/reel

