

MOLDED PLASTIC SMD MICROPROCESSOR CRYSTAL

ABSM2



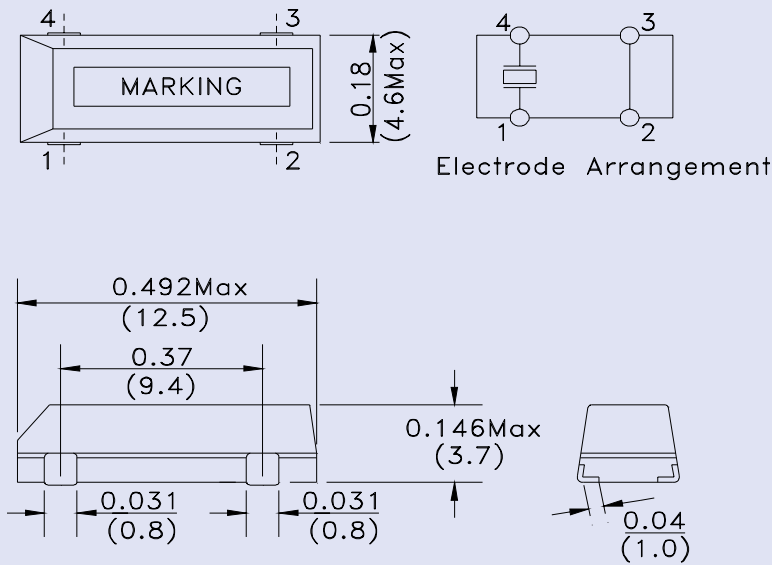
ABSM2



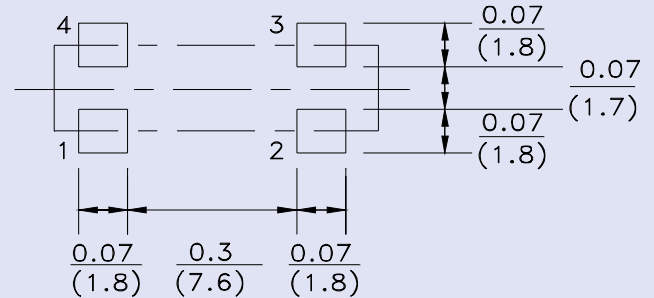
RoHS
Compliant

12.5 x 4.6 x 3.7mm

OUTLINE DRAWING:



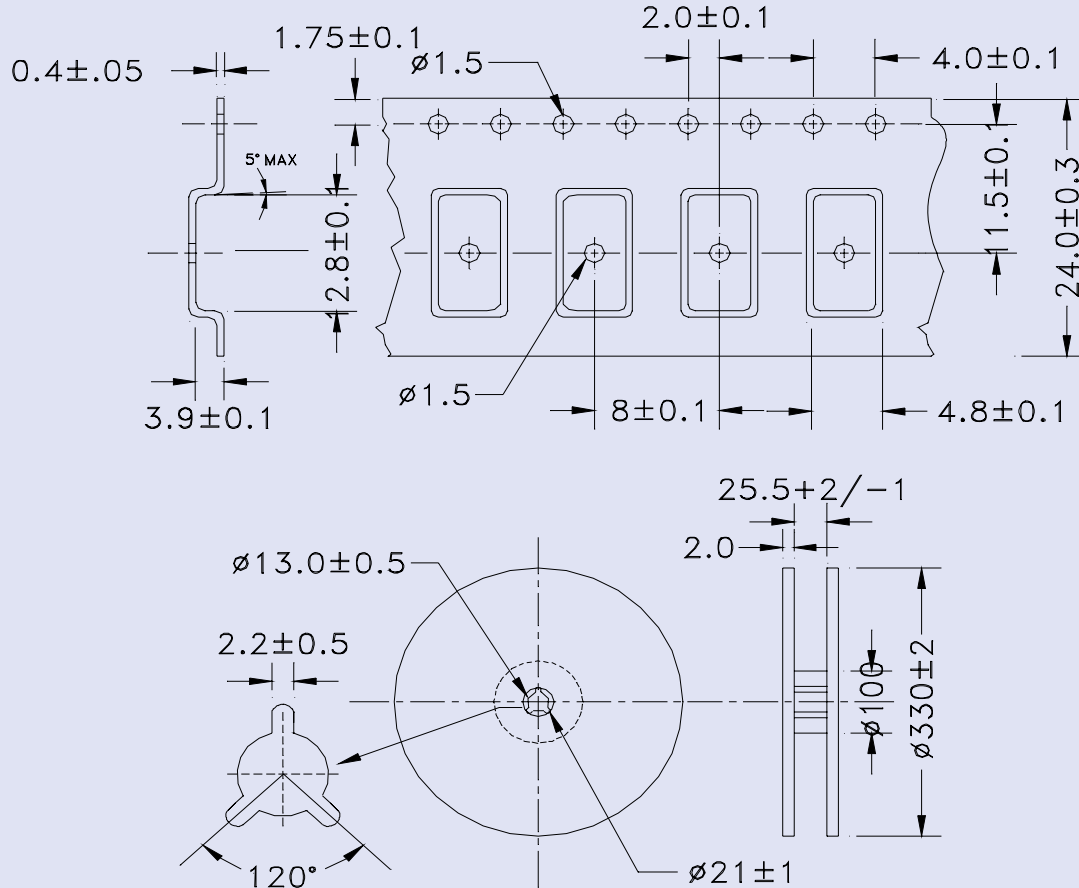
RECOMMENDED LAND PATTERN



Dimensions: Inches (mm)

TAPE & REEL:

FEEDING (PULL) DIRECTION



Dimensions: mm

ABRACON IS
ISO 9001 / QS 9000
CERTIFIED



Visit www.abracon.com for Terms & Conditions of Sale Revised: 01.11.08
30332 Esperanza, Rancho Santa Margarita, California 92688
tel 949-546-8000 | fax 949-546-8001 | www.abracon.com