

# SMD ONE PORT 433.92 MHz SAW RESONATOR

ASR433.92S53

APPLICATION: Automotive Electronics/Wireless Remote Control



5 x 3.5 x 1.5mm

## STANDARD SPECIFICATIONS:

CHARACTERISTICS		UNIT	MIN.	TYP.	MAX.
Center Frequency Fo		MHz	433.845	433.920	433.995
Tolerance from Fo		KHz		±75	
Insertion Loss		dB	-	1.2	2.0
Quality Factor	Unloaded	-		11,000	
	50Ω loaded			2,000	
Temperature Stability	Turnover Temperature	°C		39	
	Turnover Frequency	KHz		Fc+2.7kHz	
	Freq. Temp. Coefficient	ppm/°C <sup>2</sup>		0.032	
Frequency Aging		ppm/year		±10	
DC Insulation Resistance		MΩ	1.0		
RF Equivalent RLC Model	Motional Resistance R <sub>1</sub>	Ω		18	26
	Motional Inductance L <sub>1</sub>	μH		86	
	Motional Capacitance C <sub>1</sub>	fF		1.56	
	Shunt Capacitance C <sub>0</sub>	pF	1.7	2.0	2.3
Operating temp.		°C	-45°C to +85°C		
Storage temp.		°C	-45°C to +85°C		
Max. Rating	DC voltage	V	±10		
RF Power Dissipation		dBm	0		

Data measured with: Source Impedance: Z<sub>s</sub>=50Ω, Load Impedance: Z<sub>L</sub>=50Ω, T<sub>A</sub>=25°C

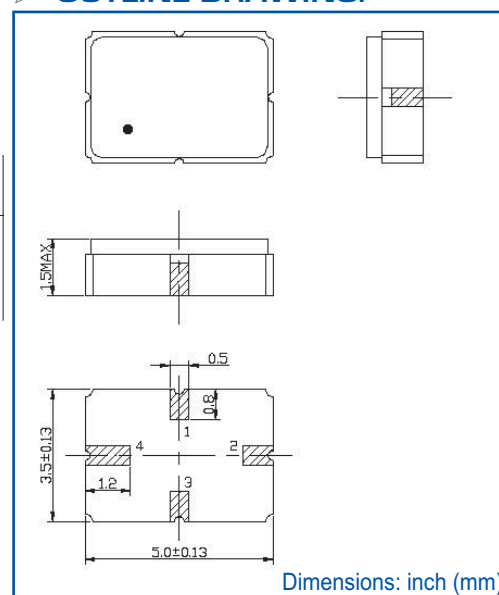
Electrostatic Sensitive Device. Handle with precaution.

## MARKING:

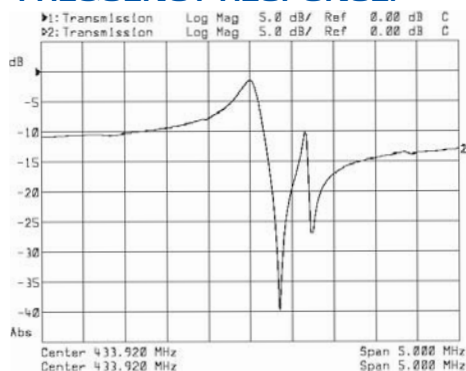
- 433.92 (433.92 Frequency in MHz)
- ZYX (ZY: Date code Z for month from A to L; Y for year, i.e. 4 for 2004; X: Traceability code)

PIN NO.	CONNECTIONS
1	Input
3	Output
2,4	Case Ground

## OUTLINE DRAWING:



## FREQUENCY RESPONSE:



## TEST CIRCUIT:



# SMD ONE PORT 433.92 MHz SAW RESONATOR

ASR433.92S53

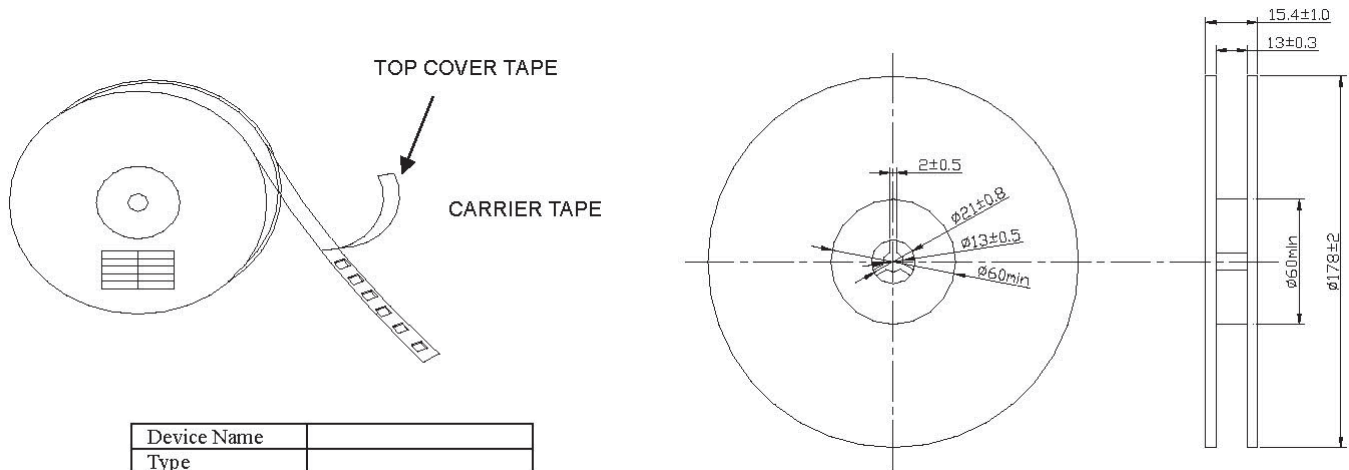
APPLICATION: Automotive Electronics/Wireless Remote Control



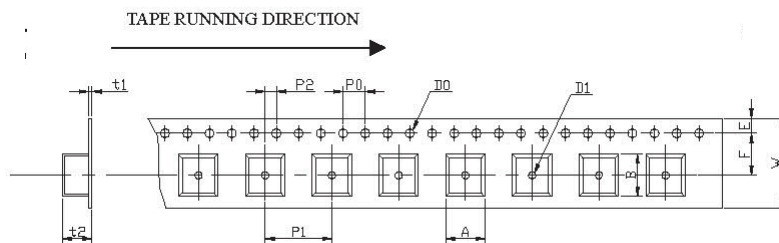
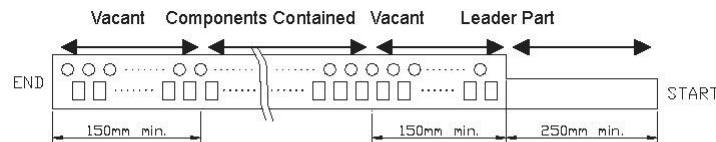
5 x 3.5 x 1.5mm

## PACKING:

- (1) Carrier Tape
- (2) Reel
- (3) The product shall be packed properly not to be damaged during transportation and storage.
- (4) Reeling Quantity: 1,000 pcs/reel



Device Name	
Type	
Quantity	
Lot No.	



W	F	E	P0	P1	P2	D0	D1	t1	t2	A	B
12.0	5.5	1.75	4.0	8.0	2.0	□1.5	□1.5	0.31	1.95	3.8	5.3
±0.3	±0.1	±0.1	±0.2	±0.1	±0.2	±0.1	±0.25	max.	max.	max.	max.

