

# LOW PROFILE LEADED CERAMIC RESONATOR

HWZT-RS

\*C = Pb in ceramic (exempt per RoHS 2002/95/EC Annex (7)) \***C/RoHS**  
Compliant



## FEATURES:

- Low resonant impedance.
- Small size, Light weight.
- Low cost timing solution.

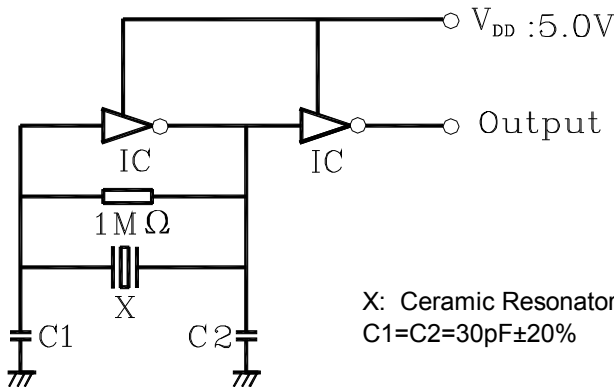
## APPLICATIONS:

- Clock oscillation for microcontrollers
- Telephones
- Household electric appliances

## STANDARD SPECIFICATIONS:

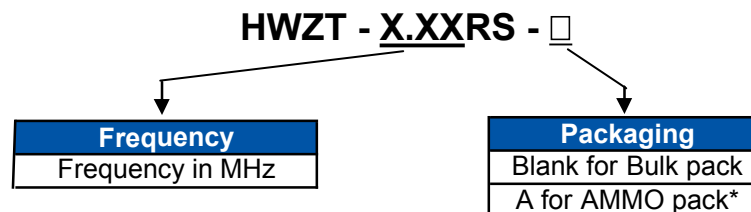
Item	Requirement
Frequency Range	4.00MHz to 12.50MHz
Resonant Impedance	25 (Ω) max
Frequency Tolerance	± 0.5%
Frequency Stability	±0.3% max. (-25°C to +85°C)
Withstanding Voltage	100V (DC , 5 seconds max.)
Rating Voltage	
(1) D.C. Voltage	6 V.D.C. max
(2) A.C. Voltage	15 Vp-p. max
Load Capacitance	30pF ±20% (C1=C2 for test circuit)
Insulation Resistance	500MΩ min. (DC 10V)
Operation Temperature	-25°C to +85°C
Storage Temperature	-40°C to +85°C
Aging Rate (Fosc)	±0.3% max. (From initial value)

## TEST CONDITION AND TEST CIRCUIT:



Parts shall be measured under a condition (Temp.: 20±15°C, Humidity: 65±20% R.H.) unless the standard condition (Temp: 25±2°C, Humidity: 65±5% R.H.) is regulated to measure

## OPTIONS & PART IDENTIFICATION:



\* AMMO pack lead length 13.5mm

# LOW PROFILE LEADED CERAMIC RESONATOR

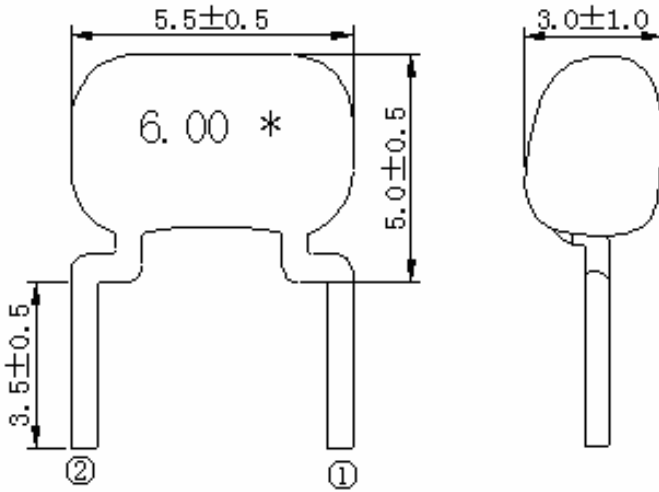
HWZT-RS

\*C = Pb in ceramic (exempt per RoHS 2002/95/EC Annex (7)) \*C/RoHS Compliant

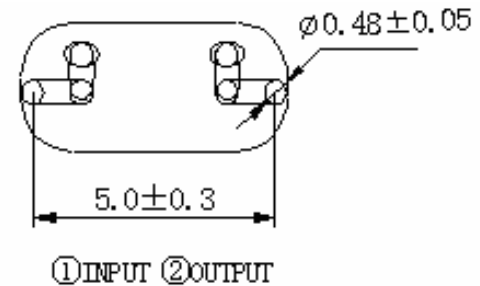
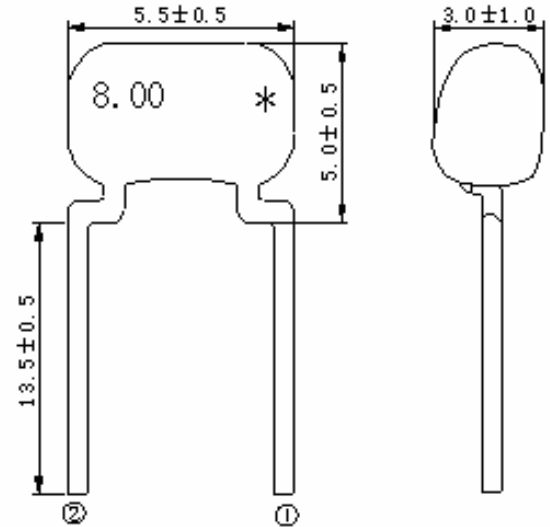


## OUTLINE DRAWING:

### Bulk Pack



### AMMO Pack



Dimension: mm

## CAUTION

- Do not apply excess mechanical stress to the component body or terminations. Do not attempt to re-form or bend the components as this will cause damage to the component.
- This component is not hermetically sealed. Do not clean or wash the component.
- Reflow soldering: Do not use strong acidity flux, such as flux with chlorine content of greater than 0.2wt% during reflow Soldering.
- Do not expose the component to open flame.
- This specification applies to the functionality of the component as a single unit. Customers are advised to insure that the component is thoroughly evaluated in the particular application.
- Shelf life: The warranted shelf life of this product is six months after the delivery date under the conditions of sealed, unopened, original packaging.
- Storage conditions: If the product is to be stored for a period greater than six months after the delivery date, it is recommended that customers confirm the solderability and characteristics for the product prior to use.
- This product is not recommended for use in the following applications: Automotive, Medical, Military, Safety, or any other high-reliability, life-dependant application. Contact Abracon Corporation prior to using this product when in doubt.

**ATTENTION:** Abracon Corporation's products are COTS – Commercial-Off-The-Shelf products; suitable for Commercial, Industrial and, where designated, Automotive Applications. Abracon's products are not specifically designed for Military, Aviation, Aerospace, Life-dependant Medical applications or any application requiring high reliability where component failure could result in loss of life and/or property. For applications requiring high reliability and/or presenting an extreme operating environment, written consent and authorization from Abracon Corporation is required. Please contact Abracon Corporation for more information.

ABRACON IS  
ISO9001:2008  
CERTIFIED



Visit [www.abracon.com](http://www.abracon.com) for Terms & Conditions of Sale **Revised: 09.15.10**  
30332 Esperanza, Rancho Santa Margarita, California 92688  
tel 949-546-8000 | fax 949-546-8001 | [www.abracon.com](http://www.abracon.com)