

# INDUSTRIAL GRADE 7.0 x 5.0 x 1.6mm GLASS SEALED 4 PADS SMD CRYSTAL



7.0 X 5.0 X 1.6mm

ABH4B

Preliminary. Contact  
Abracon for availability

Pb in glass (exempt per  
RoHS 2002/95/EC Annex (5))

**RoHS**  
Compliant

## FEATURES:

- Automotive standard AEC-Q200 compliant.
- Ceramic package hermetically glass sealed assures high precision and reliability.
- IR-reflow capable
- Tight tolerance and stability available.

## APPLICATIONS:

- Automotive applications
- Industrial applications

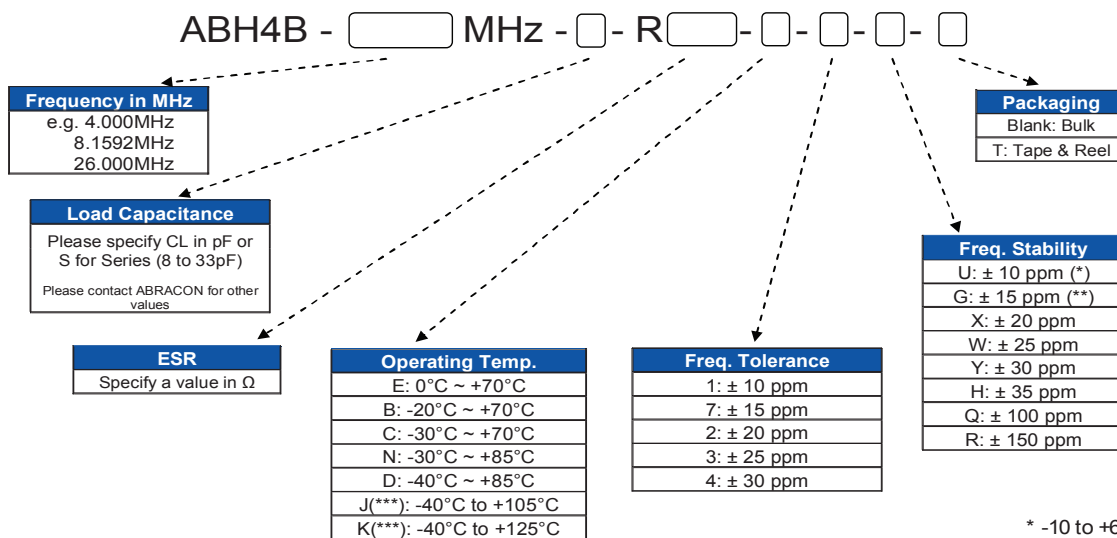
## STANDARD SPECIFICATIONS:

PARAMETERS	
ABRACON P/N	ABH4B Series
Frequency	4.000 MHz to 40.000 MHz
Operation Mode	AT cut fundamental
Operating Temperature	- 10°C to + 60°C (see options)
Storage Temperature	- 40°C to + 125°C
Frequency Tolerance	± 50 ppm max. (see options)
Frequency Stability over the Operating Temperature (Ref to + 25°C)	± 50 ppm max. (see options)
Equivalent Series Resistance	See table 1
Shunt Capacitance C0	5.0 pF max.
Load Capacitance CL	10 pF (see options)
Drive Level	100 µW max., 10 µW typical
Aging (First Year) @ 25°C ± 3°C	± 5ppm max.
Insulation Resistance	500 MΩ min at 100Vdc ± 15 Vdc

Table 1

Frequency (MHz)	ESR (Ω) max.
4.00 - 6.999	100
7.00 - 9.999	80
10.00 - 15.999	60
16.00 - 40.00	50

## OPTIONS AND PART IDENTIFICATION: (Left blank if standard)

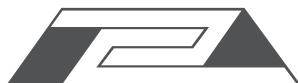


\* -10 to +60Only.

\*\* Option E, B, and -10 to +60Only.

\*\*\* Frequency stability ±100ppm, or ±150ppm only.  
Contact ABRACON for tighter frequency stability.

ABRACON IS  
ISO9001:2008  
CERTIFIED



**ABRACON**  
CORPORATION

Visit [www.abracon.com](http://www.abracon.com) for Terms & Conditions of Sale **Revised: 02.15.10**  
30332 Esperanza, Rancho Santa Margarita, California 92688  
tel 949-546-8000 | fax 949-546-8001 | [www.abracon.com](http://www.abracon.com)

# INDUSTRIAL GRADE 7.0 x 5.0 x 1.6mm GLASS SEALED 4 PADS SMD CRYSTAL



ABH4B

7.0 X 5.0 X 1.6mm

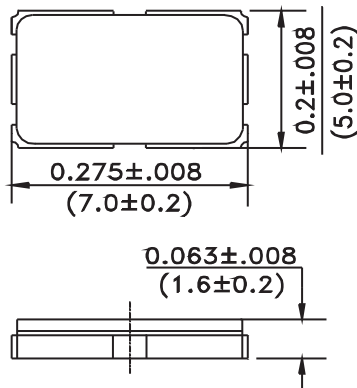
ABH4B

Preliminary. Contact  
Abracon for availability

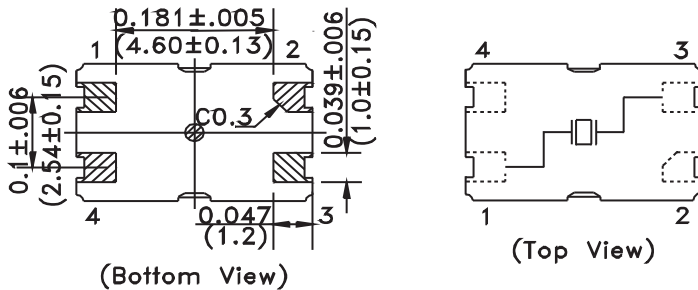
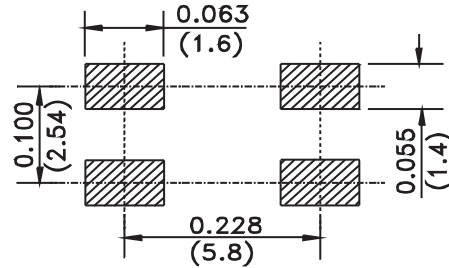
Pb in glass (exempt per  
RoHS 2002/95/EC Annex (5))

**RoHS**  
Compliant

## OUTLINE DRAWING:



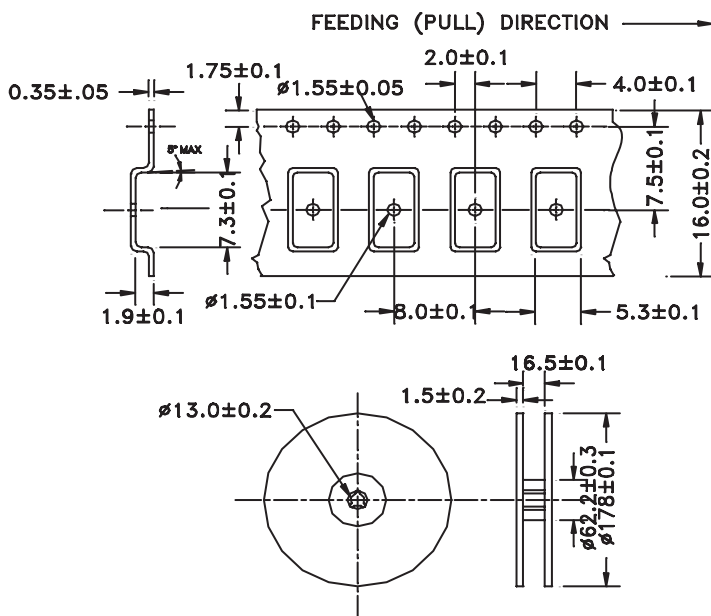
### Recommended Land Pattern



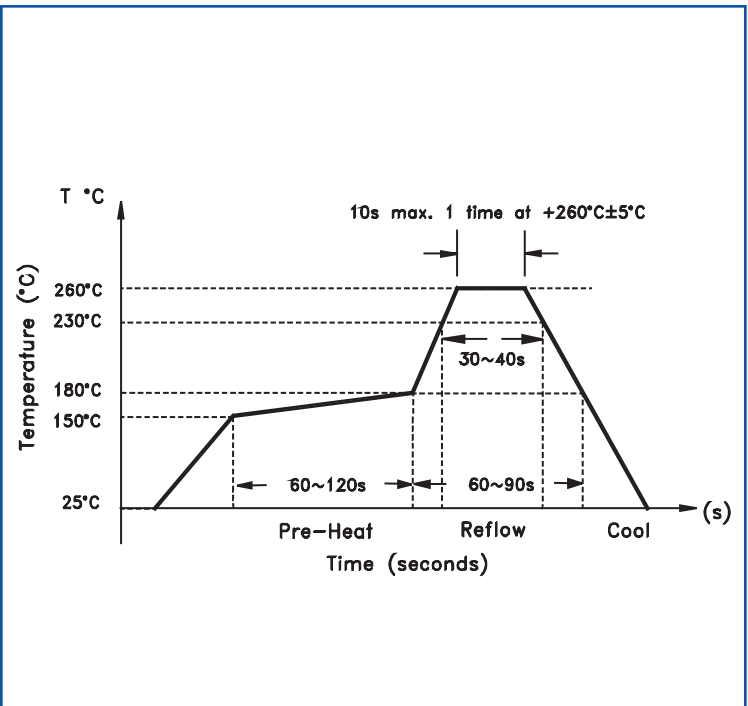
Dimensions: inch (mm)

## TAPE & REEL: T= Tape and reel [1,000pcs/reel]

## REFLOW PROFILE:



Dimensions: mm



Need a test socket for the ABH4B Series? To view compatible **PRECISION TEST & BURN-IN SOCKETS** for these parts, [click here](#). P/N: **AXS-7050-04-01.pdf**

**NOTE:** Abracon manufactured products are intended for general commercial and industrial use. For applications requiring high reliability and/or presenting extreme operating environment, written consent & authorization from Abracon is required.

ABRACON IS  
ISO9001:2008  
CERTIFIED



Visit [www.abracon.com](http://www.abracon.com) for Terms & Conditions of Sale **Revised: 02.15.10**  
30332 Esperanza, Rancho Santa Margarita, California 92688  
tel 949-546-8000 | fax 949-546-8001 | [www.abracon.com](http://www.abracon.com)