

1015MHz VOLTAGE CONTROLLED OSCILLATOR

ACV2-100-1015



Dimensions: 0.30 x 0.30 x 0.080in

STANDARD SPECIFICATIONS:

	Min	Typ	Max	Units	Cond.
Frequency Range	1015	1033	1051	MHz	1
Tuning Voltage	0.5		2.5	V	1
Modulation Sensitivity	30	35	40	MHz/V	3
Operates with Vtune = 0V					3
Output Power	-6			dBm	1
Phase Noise					
1KHz Offset				dBc/Hz	2
10KHz Offset				dBc/Hz	3
100KHz Offset		-110		dBc/Hz	2
1MHz Offset				dBc/Hz	2
Pushing			TBD	MHz/V	3
Pulling (14 db R.L.)			TBD	MHz	3
Modulation Bandwidth:		N/A		MHz	4
Tuning Port Capacitance		1200		pF	2
Harmonics		TBD		dBc	3
Sub-Harmonics	2 nd	N/A		dBc	3
	3 rd			dBc	3
	4 th			dBc	3
Vcc	2.85	3	3.15	V	5
Icc			10	mA	5
Operating Temperature	-30		+60	C	3
Package		0.30		inch sq.	5

COND. NOTES:

1. Tested in production
2. Per current design, not a tested parameter
3. Sample tested from production lot
4. Not a tested or guaranteed design goal
5. By inspection

MARKING:

- 2450
 - ACV2ZY
- (Z for month, Y for year
ex. D3 for April 2003)

NOTES:

1. Except for output pins, bottom is solid ground plane
2. All dimensions in mils.
3. All holes are plated through

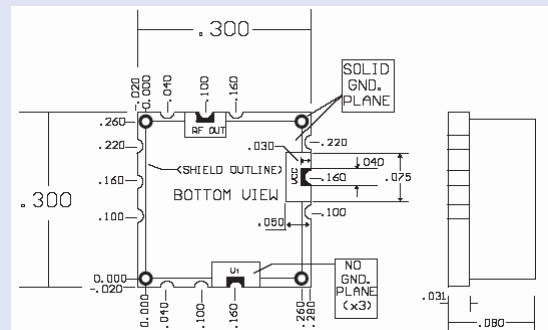
LABEL ARROW POINTS TO RF OUT

PINOUT

P3 = RF OUT
P11 = Vtune
P15 = Vcc
ALL OTHER PINS = GND

OPTION T for Tape and Reel

OUTLINE DRAWING:



Dimensions: inch (mm)