

5.0Vdc HCMOS/TTL COMPATIBLE VOLTAGE CONTROLLED CRYSTAL OSCILLATOR



7.0 x 5.0 x 1.6mm

ASLV



FEATURES:

- Low profile (1.7) ceramic VCXO
- Tri-state functions
- 7.0mm x 5.0mm seam sealed
- HCMOS/TTL output
- Suitable for IR reflow

APPLICATIONS:

- Phase locked loops (PLLs)
- Synthesizers
- Clock Recover, Digital Transmission device
- Digital set-up box
- Computers; Test Equipment

STANDARD SPECIFICATIONS:

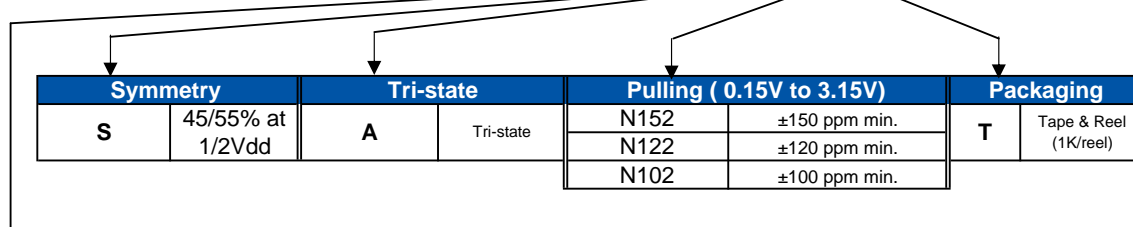
PARAMETERS

ABRACON P/N	ASLV Series
Frequency Range	1.000 MHz to 152.52 MHz
Operating Temperature	0°C to + 70°C (See options)
Storage Temperature	-55°C to +125°C
Overall frequency stability	± 50ppm max. (See options)
Supply voltage (Vdd)	5.0 Vdc ± 5%
Input Current	30mA max.
Symmetry	40/60 % max. @ 1/2Vdd (see options)
Rise and fall time (Tr/Tf)	8ns max.
Output Load	15pF/2TTL max.
Output Voltage	VOH = 0.9 * Vdd min.; VOL = 0.4 * Vdd max.
Control Voltage (Vc)	0.5 to 4.5Vdc
Pulling	± 100 ppm (see options)
Start-up time	10 ms max.
Tri-state function	"1" (VIH >= 2.2 Vdc) or open: Oscillation
Option Code A	"0" (VIL < 0.8 Vdc) : Hi Z
Output Disable/Enable Time	100ns max.
Linearity	±10% max.

OPTIONS & PART IDENTIFICATION:

(Left blank if standard)

ASLV-Frequency - □□□ - □ - □ - □□□ - □



Operating Temperature	Frequency stability (ppm)			
	±20 ppm	±25 ppm	±30 ppm	±50 ppm
0°C to 50°C	I20	I25	I30	I50
0°C to 60°C	B20	B25	B30	B50
-10°C to 60°C	D20	D25	D30	D50
0°C to 70°C	C20	C25	C30	STD (Left blank)
-10°C to 70°C	F20	F25	F30	F50
-20°C to 70°C	E20	E25	E30	E50
-40°C to 85°C	L20	L25	L30	L50

ABRACON IS
ISO 9001 / QS 9000
CERTIFIED



Visit www.abracon.com for Terms & Conditions of Sale **Revised: 02.25.08**
30332 Esperanza, Rancho Santa Margarita, California 92688
tel 949-546-8000 | fax 949-546-8001 | www.abracon.com

5.0Vdc HCMOS/TTL COMPATIBLE VOLTAGE CONTROLLED CRYSTAL OSCILLATOR



ASLV

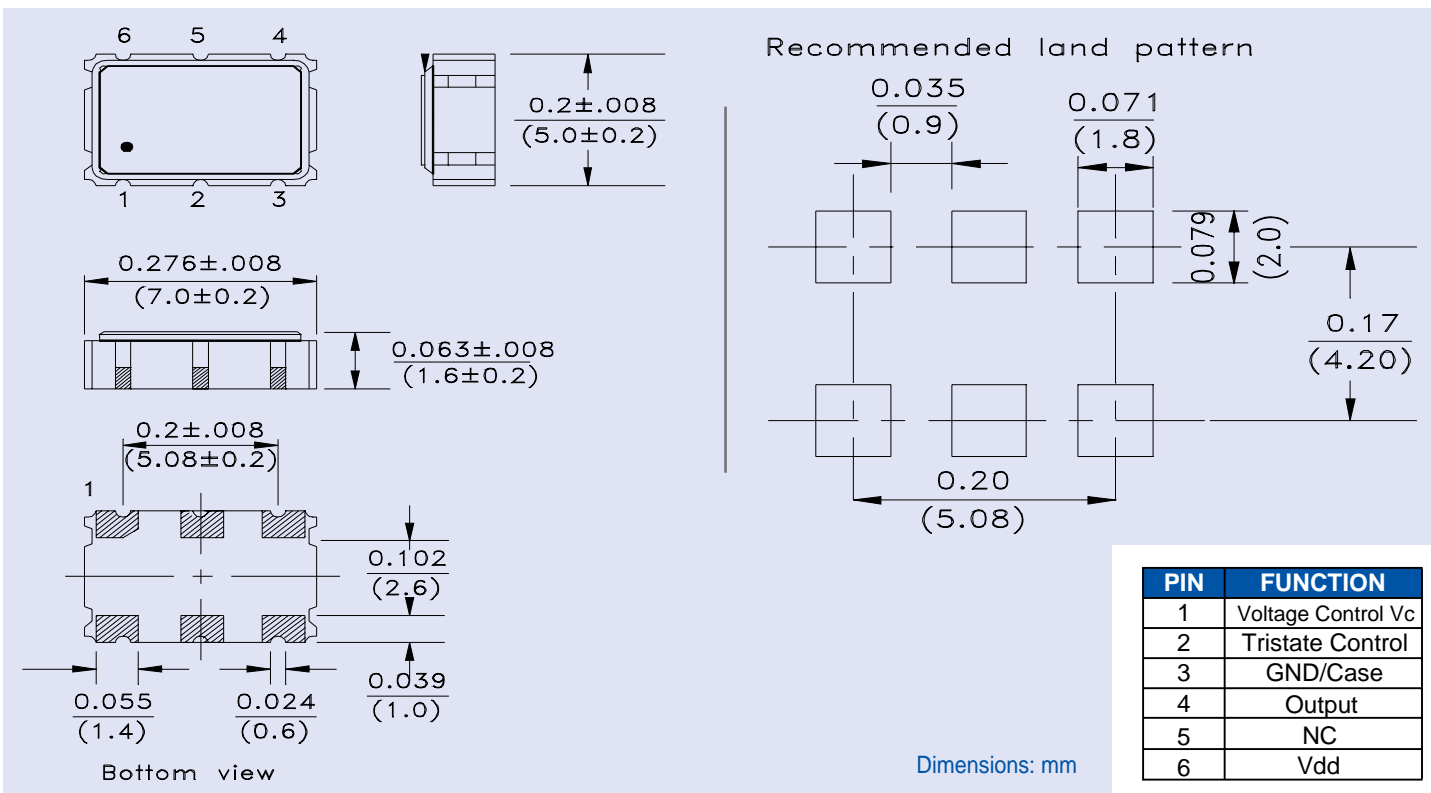
7.0 x 5.0 x 1.6mm

ASLV

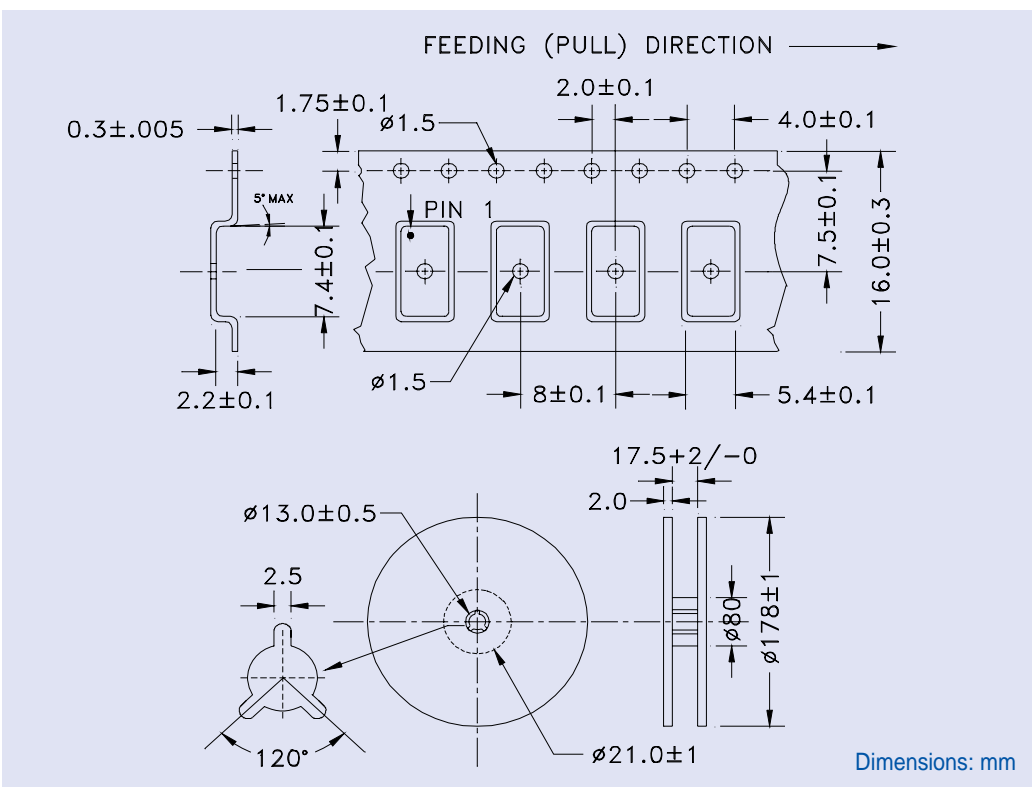


RoHS
Compliant

OUTLINE DRAWING:



TAPE & REEL: Tape and reel 1,000pcs/reel



ABRACON IS
ISO 9001 / QS 9000
CERTIFIED



Visit www.abracon.com for Terms & Conditions of Sale **Revised: 02.25.08**
30332 Esperanza, Rancho Santa Margarita, California 92688
tel 949-546-8000 | fax 949-546-8001 | www.abracon.com