



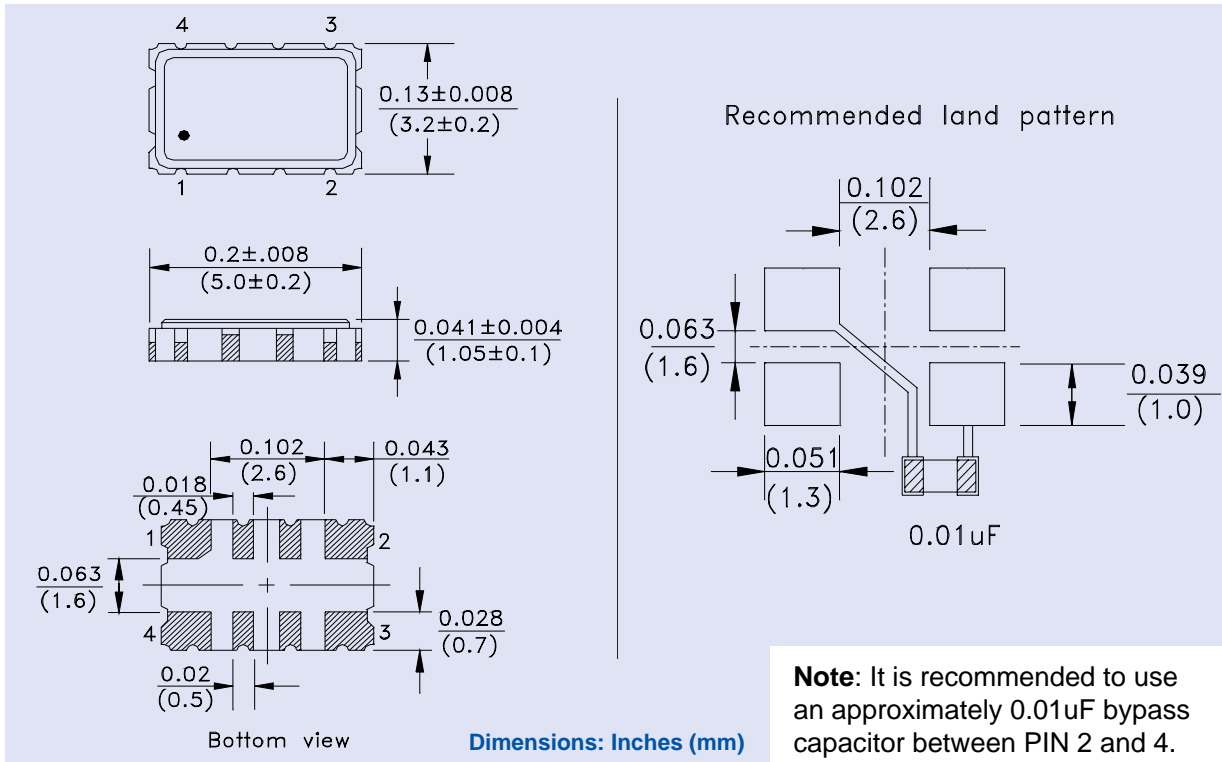
# TIGHT STABILITY INDUSTRIAL GRADE CRYSTAL OSCILLATOR

ASFLT SERIES



5.0 x 3.2 x 1.2mm

## OUTLINE DRAWING:

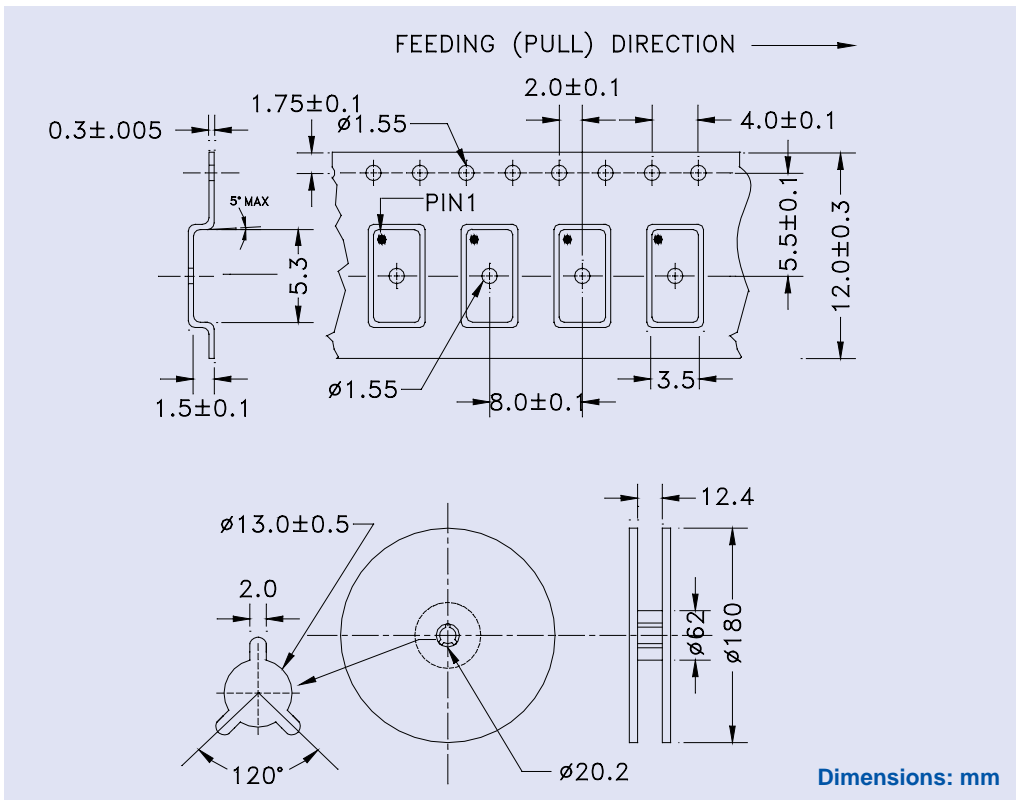


Recommended land pattern

**Note:** It is recommended to use an approximately 0.01  $\mu$ F bypass capacitor between PIN 2 and 4.

PIN	FUNCTION
1	CE
2	GND
3	Output
4	VDD

## TAPE & REEL:



ABRACON IS  
ISO 9001 / QS 9000  
CERTIFIED



Visit [www.abracon.com](http://www.abracon.com) for Terms & Conditions of Sale **Revised (C): 03.11.08**  
 30332 Esperanza, Rancho Santa Margarita, California 92688  
 tel 949-546-8000 | fax 949-546-8001 | [www.abracon.com](http://www.abracon.com)