

LOW PROFILE SHIELDED SMD CHIP POWER INDUCTOR



6.0 x 6.0 x 1.2mm

ASPI-0612FS



RoHS
Compliant

FEATURES:

- Small size and low profile: 1.2mm
- Small DCR and high rated current
- High reliability to mechanical strength
- Magnetically shielded by magnetic powder molding
- Suitable for RoHS reflow profile

APPLICATIONS:

- DC/DC converter for LCD display of notebook PC
- Portable communication equipment
- Digital cameras

ELECTRICAL SPECIFICATIONS:

Abracon P/N:	ASPI-0612FS Series
Operating Temperature & Humidity:	-30°C to +100°C, 5% to 85% RH. Please avoid moisture due to the humidity.
Storage Temperature & Humidity:	-20°C to +60°C, 5% to 85% RH. Please avoid moisture due to the humidity.

Part Number	Inductance	DCR	Saturation Current	Temperature Rise Current	Marking
Units	$\mu\text{H} \pm 20\%$	$\text{m}\Omega \pm 20\%$	A	A	—
Symbol	L	DCR	Isat*	Irms*	—
ASPI-0612FS-2R2M	2.2	65	2.40	1.80	2R2
ASPI-0612FS-3R3M	3.3	75	2.00	1.65	3R3
ASPI-0612FS-4R7M	4.7	110	1.70	1.40	4R7
ASPI-0612FS-6R8M	6.8	160	1.40	1.20	6R8
ASPI-0612FS-100M	10	220	1.20	1.05	100
ASPI-0612FS-150M	15	300	1.00	0.90	150
ASPI-0612FS-220M	22	460	0.80	0.72	220
ASPI-0612FS-330M	33	640	0.67	0.62	330
ASPI-0612FS-470M	47	970	0.56	0.50	470

*The rated current is subject to change depending upon the temperature cooling condition.

Test Conditions

Inductance: 100kHz, 0.3V, Ta=20°C

DCR: Ta=20°C

Isat: $\Delta L/L$ (initial) $\geq -30\%$

Irms: $\Delta T \leq 40^\circ\text{C}$

OPTIONS AND PART IDENTIFICATION

ASPI-0612FS- -

Inductance Code

Please refer to the table above

Packaging

T: Tape and Reel
(1kpcs / reel)
T2: Tape and Reel
(2.5kpcs / reel)



LOW PROFILE SHIELDED SMD CHIP POWER INDUCTOR

ASPI-0612FS



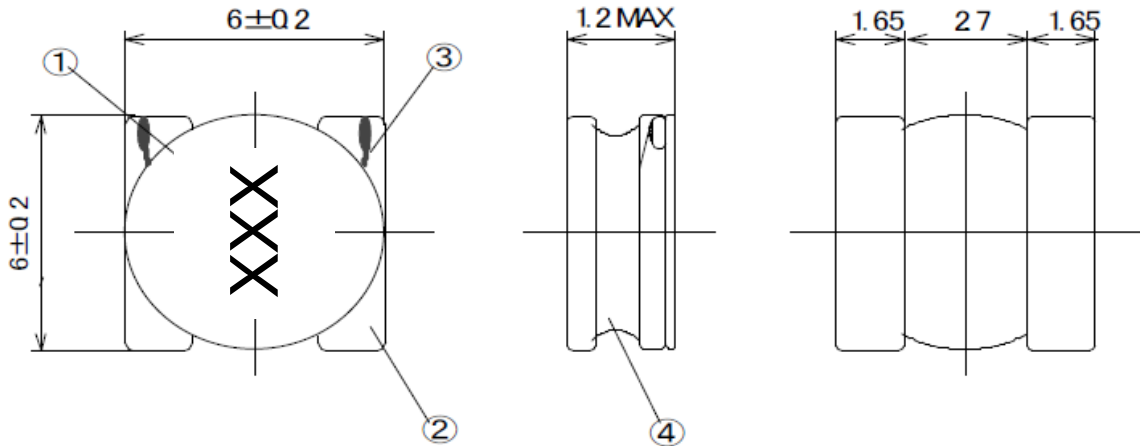
RoHS
Compliant



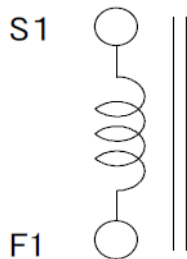
6.0 x 6.0 x 1.2mm

OUTLINE DRAWING:

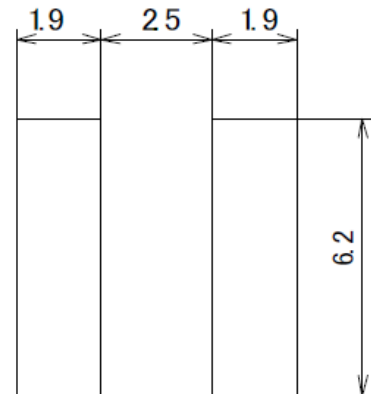
Mechanical Dimensions



Circuit Schematic



Recommended Land Pattern



No	Part Name	Material
1	Drum core	Ni-Zn Ferrite
2	Terminals	Copper alloy, Sn
3	Coil	Cu/UEW
4	Adhesive	Epoxy base resin
	Magnetic powder	Ni-Zn Ferrite

Dimension: mm

LOW PROFILE SHIELDED SMD CHIP POWER INDUCTOR

ASPI-0612FS



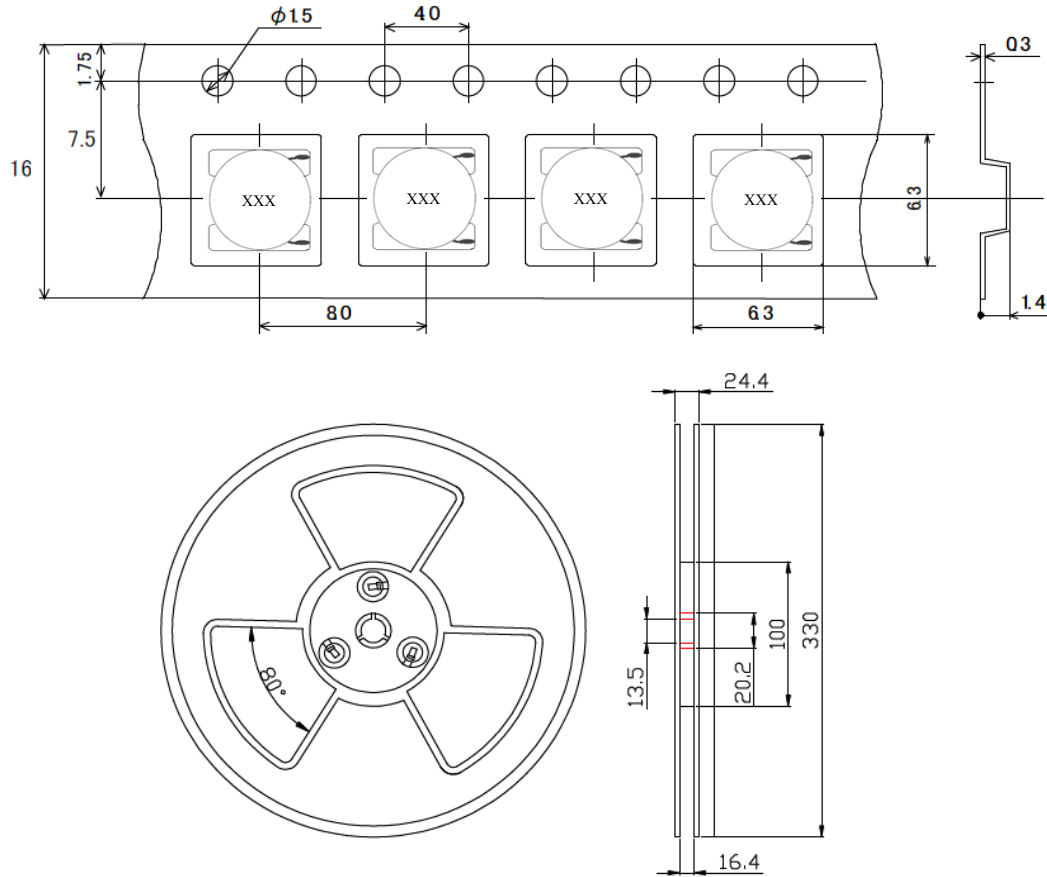
RoHS
Compliant



6.0 x 6.0 x 1.2mm

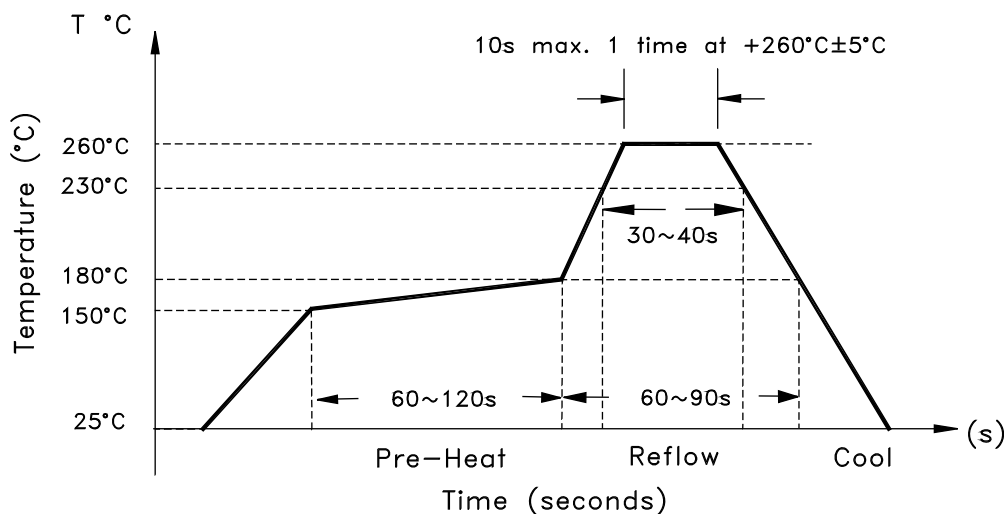
TAPE & REEL:

T: 1,000pcs / reel
T2: 2,500pcs / reel



Dimension: mm

REFLOW PROFILE:



ATTENTION: Abracon Corporation's products are COTS – Commercial-Off-The-Shelf products; suitable for Commercial, Industrial and, where designated, Automotive Applications. Abracon's products are not specifically designed for Military, Aviation, Aerospace, Life-dependant Medical applications or any application requiring high reliability where component failure could result in loss of life and/or property. For applications requiring high reliability and/or presenting an extreme operating environment, written consent and authorization from Abracon Corporation is required. Please contact Abracon Corporation for more information.

ABRACON IS
ISO9001:2008
CERTIFIED



Visit www.abracon.com for Terms & Conditions of Sale **Revised: 08.31.10**
30332 Esperanza, Rancho Santa Margarita, California 92688
tel 949-546-8000 | fax 949-546-8001 | www.abracon.com