

Thru-Hole Common Mode Choke

ALFT-06



RoHS
Compliant



ELECTRICAL SPECIFICATIONS:

Abracon P/N: **ALFT-06**

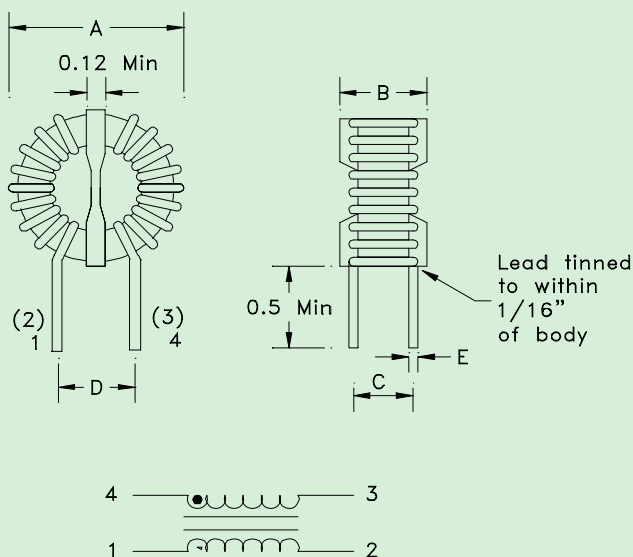
Inductance: Test at 1.0 KHz 0.1V_{RMS}, K=±10%, L=±15%

Dimension: inch

Part no.	L (mH)	I _{RATED} (A)	Rdc (ΩMax)	A Max	B Max	C Nom	D Nom	E Nom
ALFT-06-601L-1	0.6	1	0.040	0.6	0.45	0.4	0.2	0.016
ALFT-06-102L-1	1	1	0.060	0.6	0.45	0.4	0.2	0.016
ALFT-06-202L-1	2	1	0.070	0.6	0.45	0.4	0.2	0.016
ALFT-06-302L-1	3	1	0.100	0.6	0.45	0.4	0.2	0.016
ALFT-06-502L-1	5	1	0.125	0.6	0.45	0.4	0.2	0.016
ALFT-06-601L-2	0.6	2	0.030	0.6	0.45	0.4	0.2	0.020
ALFT-06-102L-2	1	2	0.040	0.6	0.45	0.4	0.2	0.020
ALFT-06-202L-2	2	2	0.060	0.6	0.45	0.4	0.2	0.020
ALFT-06-302L-2	3	2	0.075	0.6	0.45	0.4	0.2	0.020
ALFT-06-601L-3	0.6	3	0.020	0.6	0.45	0.4	0.2	0.023
ALFT-06-102L-3	1	3	0.030	0.6	0.45	0.4	0.2	0.023
ALFT-06-102L-2.5	1	2.5	0.050	0.8	0.55	0.5	0.3	0.023
ALFT-06-202L-2.5	2	2.5	0.075	0.8	0.55	0.5	0.3	0.023
ALFT-06-302L-2.5	3	2.5	0.085	0.8	0.5	0.5	0.3	0.023
ALFT-06-502L-2	5	2	0.110	0.8	0.55	0.5	0.3	0.023

Part no.	L (mH)	I _{RATED} (A)	Rdc (ΩMax)	A Max	B Max	C Nom	D Nom	E Nom
ALFT-06-802L-2	8	2	0.200	0.8	0.55	0.5	0.3	0.023
ALFT-06-102L-5	1	5	0.035	0.8	0.55	0.5	0.3	0.030
ALFT-06-202L-5	2	5	0.040	1.2	0.80	0.7	0.4	0.030
ALFT-06-502L-4	5	4	0.046	1.2	0.80	0.7	0.4	0.030
ALFT-06-802L-4	8	4	0.046	1.2	0.80	0.7	0.4	0.030
ALFT-06-503L-2	50	2	0.200	1.2	0.80	0.7	0.4	0.023
ALFT-06-303L-4	30	4	0.130	1.2	0.80	0.7	0.4	0.030
ALFT-06-113L-5	11	5	0.072	1.2	0.80	0.7	0.4	0.036
ALFT-06-302L-10	3	10	0.020	1.2	0.80	0.7	0.4	0.046

OUTLINE DRAWING:



Specification:

Dielectric strength 3750 V_{RMS}

Coil wound on VW-1 rated plastic cased ferrite core

I_{RATED} : 30°C temperature rise max.

Operating temperature -55 to +105°C

