

Thru-Hole Common Mode Choke

ALFT-04



RoHS
Compliant



30.5 x 16.3 x 31.8mm

ELECTRICAL SPECIFICATIONS:

Abracon P/N: ALFT-04

Part Number	L (mH) ±20%	DCR Max mΩ	I _{RATE} Max A	Lead Dia ±0.005"
ALFT-04-1	0.24	5.0	20	0.0511
ALFT-04-2	0.35	6.0	20	0.0511
ALFT-04-3	0.50	7.0	18	0.0511
ALFT-04-4	1.00	10.0	16	0.0405
ALFT-04-5	2.00	13.0	15	0.0405
ALFT-04-6	3.00	16.0	14	0.0405
ALFT-04-7	4.50	20.0	13	0.0405
ALFT-04-8	7.00	30.0	10	0.0405
ALFT-04-9	10.00	40.0	8	0.0405

NOTE

Turns Ratio: 1 : 1 ± 2%

Hipot: 2000V_{RMS} is standard

Optional: 3750V_{RMS} (add -HP after the part no)

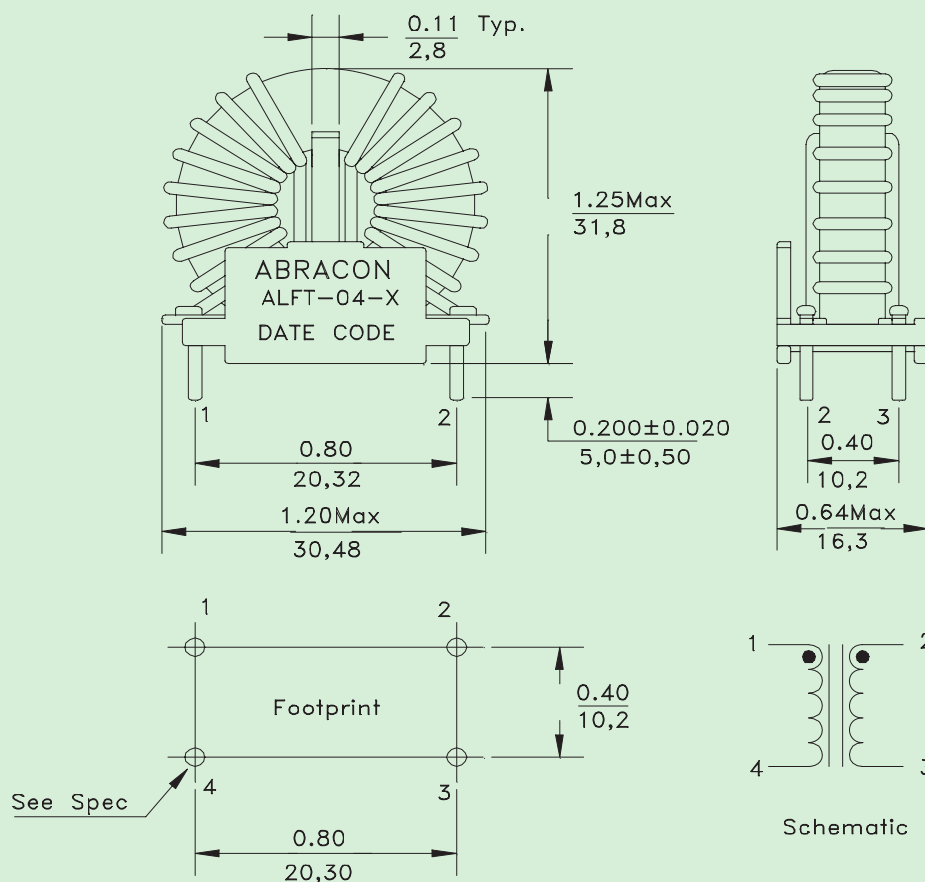
I_{RATE}: ΔT <40°C temperature rise

L_p measured at 1KHz, 0.1V_{RMS}

Operating Temperature: -40°C to +85°C

RoHS Compliance, effective 0526, label on box

OUTLINE DRAWING:



Dimensions: Inches
(mm)