

UNSHIELDED SMD POWER INDUCTOR

AISC-2220H



RoHS
Compliant



5.7 x 5.0 x 4.5mm

FEATURES:

- Excellent solderability and resistance
- Suitable for flow and reflow soldering
- Packed in embossed carrier tape and can be used by automatic mounting machines

APPLICATIONS:

- Personal Computers, disk drives and computer peripherals
- Excellent for power line DC/DC conversion applications

STANDARD SPECIFICATIONS:

PARAMETERS

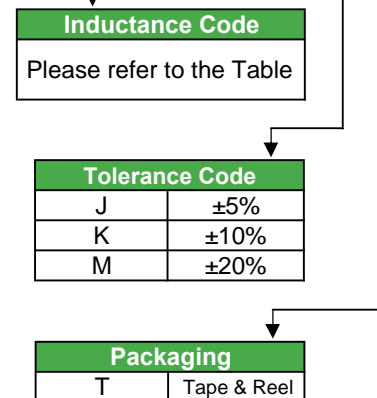
| | |
|------------------------|------------------------------|
| ABRACON P/N: | AISC-2220H-xxx Series |
| Operating temperature: | -25°C to + 85°C |
| Storage temperature: | -25°C to + 85°C, 70% RH max. |
| Test Condition: | 1.0V/1.0MHz |

| Part Number | L (μH) | Rdc (mΩ) max. | Idc (mA) max. |
|----------------|---------|------------------|------------------|
| AISC-2220H-1R0 | 1.00 | 30 | 3000 |
| AISC-2220H-1R4 | 1.40 | 44 | 2000 |
| AISC-2220H-1R8 | 1.80 | 85 | 1800 |
| AISC-2220H-2R2 | 2.20 | 100 | 1750 |
| AISC-2220H-2R7 | 2.70 | 110 | 1700 |
| AISC-2220H-3R3 | 3.30 | 120 | 1650 |
| AISC-2220H-3R9 | 3.90 | 130 | 1600 |
| AISC-2220H-4R7 | 4.70 | 140 | 1550 |
| AISC-2220H-5R6 | 5.60 | 170 | 1500 |
| AISC-2220H-6R8 | 6.80 | 200 | 1400 |
| AISC-2220H-8R2 | 8.20 | 220 | 1350 |
| AISC-2220H-100 | 10.00 | 250 | 1250 |
| AISC-2220H-120 | 12.00 | 270 | 1200 |
| AISC-2220H-150 | 15.00 | 300 | 1100 |
| AISC-2220H-180 | 18.00 | 310 | 1050 |
| AISC-2220H-220 | 22.00 | 370 | 950 |
| AISC-2220H-270 | 27.00 | 400 | 900 |
| AISC-2220H-330 | 33.00 | 600 | 850 |
| AISC-2220H-390 | 39.00 | 750 | 750 |
| AISC-2220H-470 | 47.00 | 850 | 700 |
| AISC-2220H-560 | 56.00 | 900 | 650 |
| AISC-2220H-680 | 68.00 | 1200 | 550 |
| AISC-2220H-820 | 82.00 | 1500 | 500 |
| AISC-2220H-101 | 100.00 | 1600 | 450 |
| AISC-2220H-121 | 120.00 | 1900 | 400 |
| AISC-2220H-151 | 150.00 | 2200 | 380 |
| AISC-2220H-181 | 180.00 | 2500 | 350 |
| AISC-2220H-221 | 220.00 | 3500 | 300 |
| AISC-2220H-271 | 270.00 | 4000 | 250 |
| AISC-2220H-331 | 330.00 | 6000 | 200 |
| AISC-2220H-391 | 390.00 | 6500 | 180 |
| AISC-2220H-471 | 470.00 | 12000 | 150 |
| AISC-2220H-561 | 560.00 | 12500 | 140 |
| AISC-2220H-681 | 680.00 | 14500 | 130 |
| AISC-2220H-821 | 820.00 | 15500 | 110 |
| AISC-2220H-102 | 1000.00 | 17000 | 100 |

OPTIONS & PART IDENTIFICATION:

(Left blank if standard)

AISC - 2220H - □□□ - □ - □



UNSHIELDED SMD POWER INDUCTOR

AISC-2220H

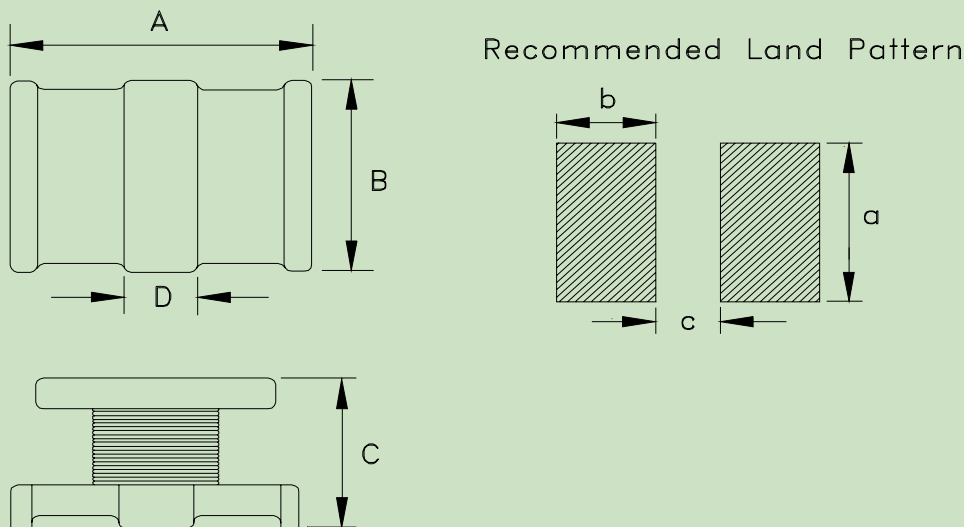


RoHS
Compliant



5.7 x 5.0 x 4.5mm

OUTLINE DRAWING:

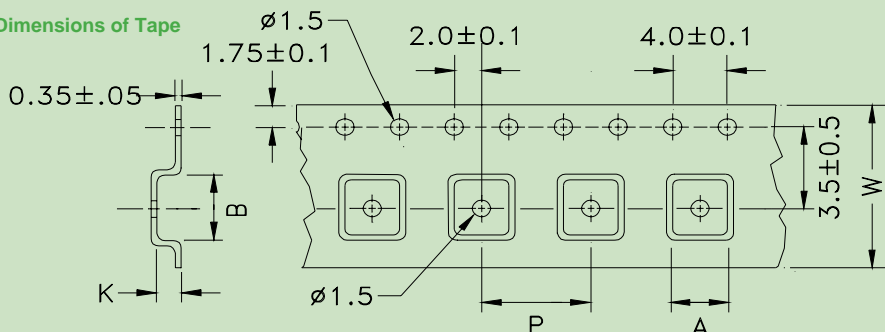


| Series | A | B | C | D(ref) | a(ref) | b(ref) | c(ref) |
|------------|---------------------------|---------------------------|---------------------------|----------------|----------------|----------------|----------------|
| AISC-2220H | 0.224±0.012 (5.7 ±0.3) | 0.197±0.012 (5.0 ±0.3) | 0.177±0.012 (4.5 ±0.3) | 0.079 (2.0) | 0.197 (5.0) | 0.059 (1.5) | 0.071 (1.8) |

Dimensions: Inches
(mm)

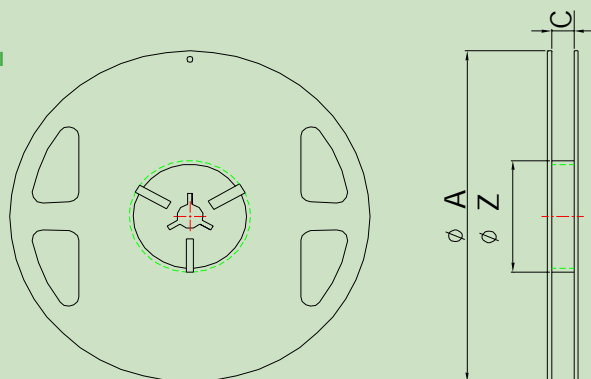
TAPE & REEL: Tape and reel 1,000pcs/reel

Dimensions of Tape



| ABRACON P/N | A (mm) | B (mm) | K (mm) | P (mm) | T (mm) | W(mm) | PCS/REEL |
|-------------|-----------|-----------|-----------|------------|-------------|------------|----------|
| AISC-2220H | 5.3 ± 0.1 | 6.2 ± 0.1 | 5.4 ± 0.1 | 12.0 ± 0.1 | 0.35 ± 0.05 | 12.0 ± 0.3 | 1000 |

Dimensions of Reel



| series | A | C | Z |
|------------|---------|----------|---------|
| AISC-2220H | 330-0.5 | 12.4+2.0 | 100±1.0 |

Dimensions: mm

ABRACON IS
ISO 9001 / QS 9000
CERTIFIED



Visit www.abracon.com for Terms & Conditions of Sale **Revised: 08.24.07**
30332 Esperanza, Rancho Santa Margarita, California 92688
tel 949-546-8000 | fax 949-546-8001 | www.abracon.com