

SMD RJ45 Jack with 10/100 Base-TX Magnetic

ASRJ11A

RoHS
Compliant



16.26 x 13.84 x 21.95mm

FEATURES:

- Tab down SMD RJ45 Jack
- Available with or without LED
- Suitable CAT 5 & 6 cable and UTP
- Comply IEEE 802.3ab
- Suitable for RoHS compliant reflow

APPLICATIONS:

- 10 and 100 Base-TX
- NIC, LoM and PC

STANDARD SPECIFICATIONS

Operating temperature range: 0°C to +70°C Storage temperature range: -40°C to +85°C

Part Number	Turns Ratio (PCB side: Cable Side)		EMI Fingers	LEDs		Insertion Loss (dB max)		Return Loss (dB MIN)		
	TX	RX		L/R	1 - 80 MHz	100 MHz	1 - 30 MHz	60 MHz	80 MHz	
ASRJ11A-MASA-LT2	1CT:1	1CT:1	Yes	No	-1.0	-1.5	-20	-15	-12	

Part Number	DCMR (dB MIN)	CMR (dB MIN)	Crosstalk (dB MIN)	Hipot (Vrms)/1 sec
	0.1-100 MHz	0.1 - 100MHz	0.1 - 100 MHz	
ASRJ11A-MASA-LT2	-30	-30	-35	1500

Contact Abracon for more custom configurations. See options to build a custom configuration.

OPTIONS AND PART IDENTIFICATION

ASRJ11A - [] [] - [] - [] - [] [] [] - []

Mechanical	Schematic	Left LED color (e.g. B for Yellow, AB for Green-Yellow)	Right LED color (e.g. B for Yellow, AB for Green-Yellow)	LED polarity	Turns Ratio (Tx)	Turns Ratio (Rx)	Gold plating	Packaging
MA (Please see mechanical section)	SA (Please see schematic section)	Blank: No LED A: Green B: Yellow C: Amber D: Orange	Blank: No LED A: Green B: Yellow C: Amber D: Orange	Blank: No LED (Please see LED polarity section)	K: 1CT:1.41 L: 1CT:1 M: 1CT:1CT N: 1.414:1CT O: 1CT:1.41CT P: 1:2CT Q: 1:1.414CT R: 1CT:2.5	S: 1CT:1.41 T: 1CT:1 U: 1CT:1CT V: 1.414:1CT W:1CT:1.41CT X: 1:2CT Y: 1:1.414CT Z: 1CT:2.5	1: 3u “ 2: 6u “ 3: 15u “ 4: 30u “	Blank: Tube (25pcs/tube) T: Tape and Reel(90pcs/Reel) TR: Tray (80pcs/tray)



SMD RJ45 Jack with 10/100 Base-TX Magnetic

ASRJ11A

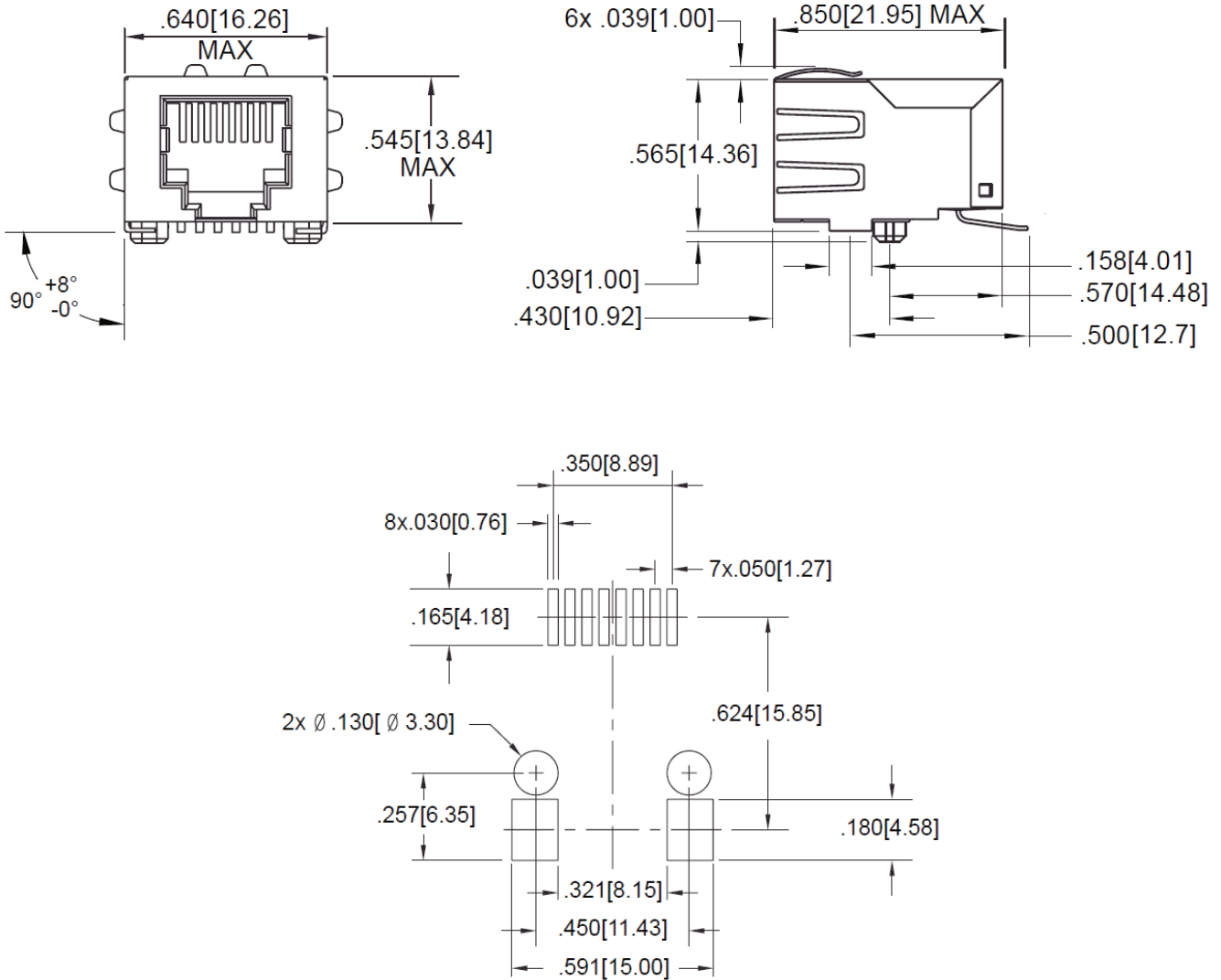
RoHS
Compliant



16.26 x 13.84 x 21.95mm

MECHANICAL DIMENSIONS

MA



Recommended Land Pattern (component side view)

Dimension: inch [mm]

SMD RJ45 Jack with 10/100 Base-TX Magnetic

ASRJ11A

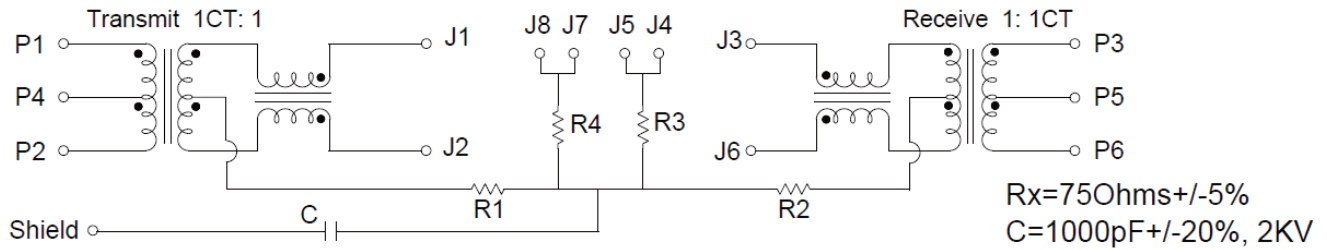
RoHS
Compliant



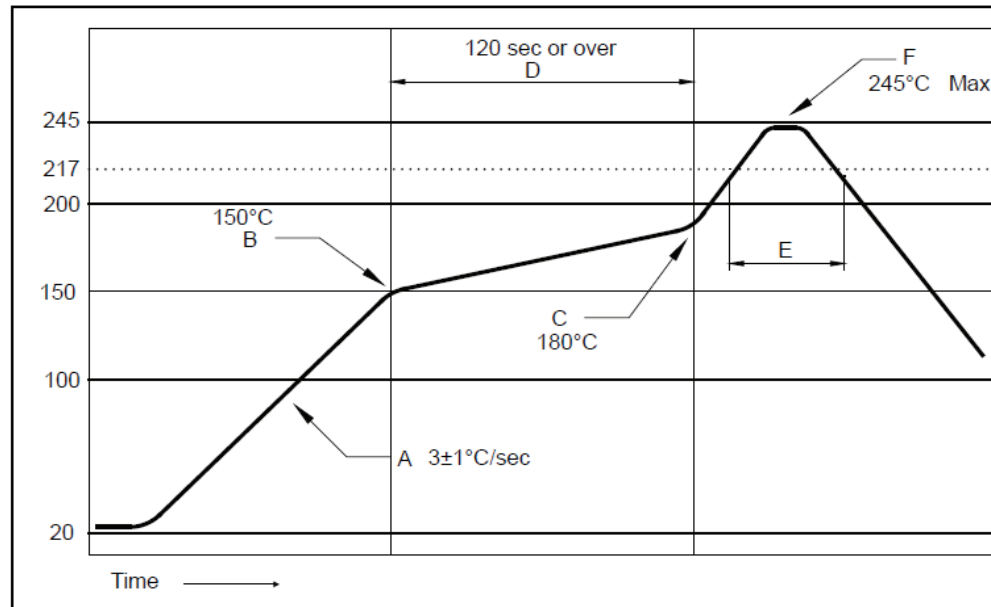
16.26 x 13.84 x 21.95mm

SCHEMATICS

SA



REFLOW PROFILE:



Contents	Soldering Condition
A: Increasing speed	$3 \pm 1^\circ\text{C}/\text{sec}$
B: Pre-heat starting Temp	150°C
C: Pre-heat ending Temp	180°C
D: Pre-heat interval	120 sec or over
E: Over 217°C time	60~150 sec
F: Peak Temperature	245°C Max

ABRACON IS
ISO 9001:2008
CERTIFIED



Visit www.abracon.com for Terms & Conditions of Sale
30332 Esperanza, Rancho Santa Margarita, California 92688
tel 949-546-8000 | fax 949-546-8001 | www.abracon.com

Revised: 09.09.11

SMD RJ45 Jack with 10/100 Base-TX Magnetic

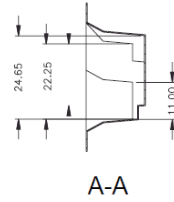
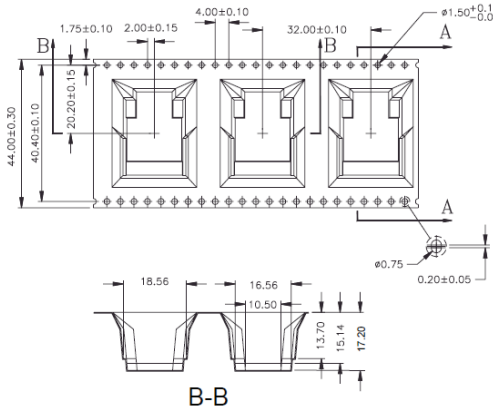
ASRJ11A

RoHS
Compliant

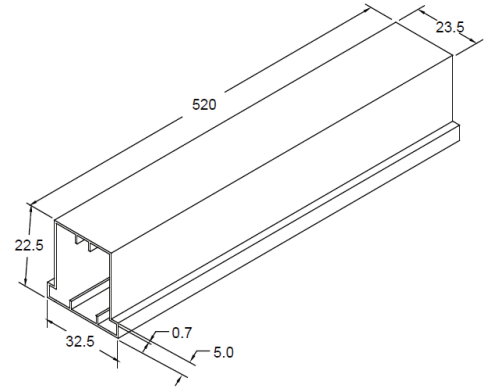


16.26 x 13.84 x 21.95mm

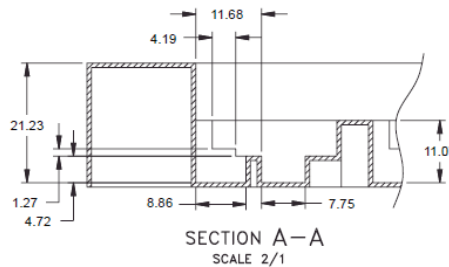
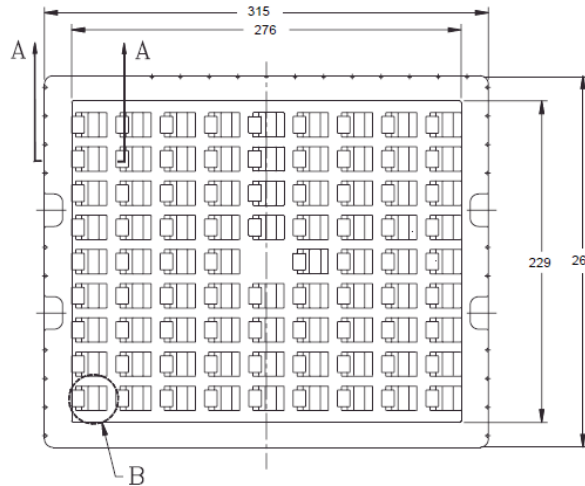
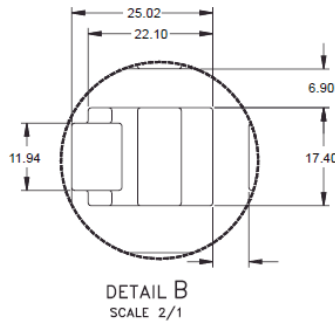
Tape & Reel (90pcs/Reel)



Tube (25pcs/Tube)



Tray (80pcs/Tray)



Dimensions: mm

ATTENTION: Abracon Corporation's products are COTS – Commercial-Off-The-Shelf products; suitable for Commercial, Industrial and, where designated, Automotive Applications. Abracon's products are not specifically designed for Military, Aviation, Aerospace, Life-dependant Medical applications or any application requiring high reliability where component failure could result in loss of life and/or property. For applications requiring high reliability and/or presenting an extreme operating environment, written consent and authorization from Abracon Corporation is required. Please contact Abracon Corporation for more information.

ABRACON IS
ISO 9001:2008
CERTIFIED



ABRACON
CORPORATION

Visit www.abracon.com for Terms & Conditions of Sale
30332 Esperanza, Rancho Santa Margarita, California 92688
tel 949-546-8000 | fax 949-546-8001 | www.abracon.com

Revised: 09.09.11