

Common Mode Line Filter



17.50 x 13.0 x 22.0mm

ALFT-05



RoHS/RoHS II compliant

FEATURES:

- Presents High Common Mode Impedance
- Enables significant noise suppression at high frequency

APPLICATIONS:

- Filtering common mode noise in USB, IEEE1394, LVDS, Digital Camera, Scanner.
- Digital audio and video equipments such as PDA, DSC, DVC, DVD Player.

ELECTRICAL SPECIFICATIONS:

Part Number	L (mH) $\pm 30\%$ (1-2/4-3)	DCR Max (m Ω)	I _{rate} Max (A)
ALFT-05-1	1.0	35	3.0
ALFT-05-2	2.2	70	2.0
ALFT-05-3	3.3	120	1.5
ALFT-05-4	10.0	360	1.0
ALFT-05-5	20.0	540	0.5

Test Conditions

Test Freq for L: 10KHz, 0.1Vrms

Hipot: 1500V_{rms} @50Hz/3mA/2sec

I_{rate}: Based on temperature rise (ΔT : 40°C max)

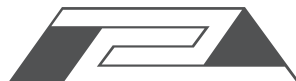
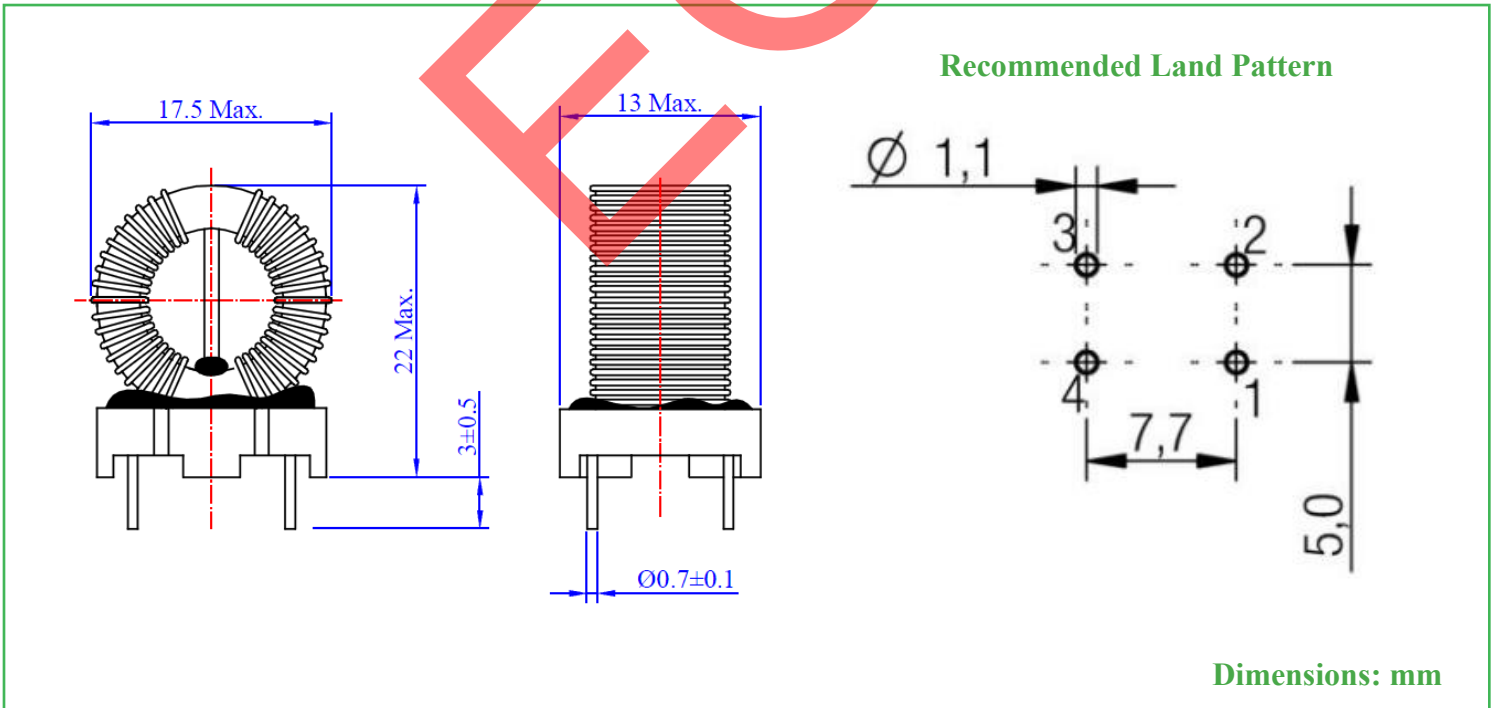
Operating Temperature

-40°C to +125°C

Storage Temperature

-20°C to +85°C

OUTLINE DIMENSION:



Common Mode Line Filter

ALFT-05

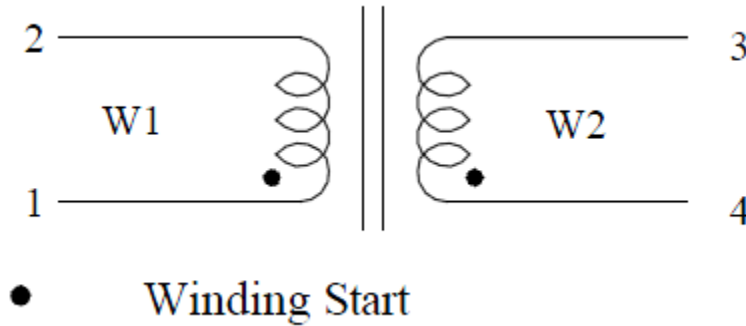


RoHS/RoHS II compliant



17.50 x 13.0 x 22.0mm

SCHEMATICS



Packing: 200pcs/Tray

FOLOW

ATTENTION: Abracon Corporation's products are COTS – Commercial-Off-The-Shelf products; suitable for Commercial, Industrial and, where designated, Automotive Applications. Abracon's products are not specifically designed for Military, Aviation, Aerospace, Life-dependant Medical applications or any application requiring high reliability where component failure could result in loss of life and/or property. For applications requiring high reliability and/or presenting an extreme operating environment, written consent and authorization from Abracon Corporation is required. Please contact Abracon Corporation for more information.

ABRACON IS
ISO 9001:2008
CERTIFIED



ABRACON
CORPORATION

Visit www.abracon.com for Terms & Conditions of Sale **Revised: 09.11.14**
30332 Esperanza, Rancho Santa Margarita, California 92688
tel 949-546-8000 | fax 949-546-8001 | www.abracon.com