

Axial Power Inductor

AIAP-05



RoHS/RoHS II Compliant



17.8 x φ6.4mm

FEATURES:

- Low cost axial leaded inductors
- High current rating
- Wide inductance range
- Covered with UL heat shrink tubing

APPLICATIONS:

- Power supplies
- Switching circuits
- TV and audio equipment
- Telecommunication devices
- RF and other filters

ELECTRICAL SPECIFICATIONS:

Part No.	L(μH)	Tolerance (K: ±10%)	DCR(Ω) max	I _{sat} (A) max	I _{rms} (A) max	Inductance Code
AIAP-05-3R9	3.9	K	0.019	3.60	1.280	3R9K
AIAP-05-4R7	4.7	K	0.022	3.30	1.280	4R7K
AIAP-05-5R6	5.6	K	0.024	3.00	1.280	5R6K
AIAP-05-6R8	6.8	K	0.026	2.70	1.280	6R8K
AIAP-05-8R2	8.2	K	0.028	2.50	1.280	8R2K
AIAP-05-100	10	K	0.033	2.30	1.280	100K
AIAP-05-120	12	K	0.037	2.10	1.280	120K
AIAP-05-150	15	K	0.040	1.90	1.280	150K
AIAP-05-180	18	K	0.044	1.70	1.280	180K
AIAP-05-220	22	K	0.050	1.50	1.280	220K
AIAP-05-270	27	K	0.058	1.40	1.280	270K
AIAP-05-330	33	K	0.075	1.30	1.008	330K
AIAP-05-390	39	K	0.094	1.20	0.804	390K
AIAP-05-470	47	K	0.109	1.10	0.804	470K
AIAP-05-560	56	K	0.140	0.97	0.804	560K
AIAP-05-680	68	K	0.145	0.88	0.804	680K
AIAP-05-820	82	K	0.152	0.80	0.804	820K
AIAP-05-101	100	K	0.208	0.73	0.632	101K
AIAP-05-121	120	K	0.283	0.66	0.508	121K
AIAP-05-151	150	K	0.340	0.60	0.508	151K
AIAP-05-181	180	K	0.362	0.54	0.508	181K
AIAP-05-221	220	K	0.430	0.49	0.508	221K
AIAP-05-271	270	K	0.557	0.45	0.400	271K
AIAP-05-331	330	K	0.655	0.40	0.400	331K
AIAP-05-391	390	K	0.772	0.37	0.400	391K
AIAP-05-471	470	K	1.15	0.34	0.315	471K
AIAP-05-561	560	K	1.27	0.31	0.315	561K
AIAP-05-681	680	K	1.61	0.28	0.250	681K
AIAP-05-821	820	K	1.96	0.26	0.200	821K
AIAP-05-105	1000	K	2.30	0.23	0.200	102K
AIAP-05-122	1200	K	2.65	0.21	0.200	122K
AIAP-05-152	1500	K	3.45	0.19	0.158	152K
AIAP-05-182	1800	K	4.03	0.18	0.158	182K
AIAP-05-222	2200	K	4.48	0.16	0.158	222K
AIAP-05-272	2700	K	5.90	0.14	0.125	272K
AIAP-05-332	3300	K	6.56	0.13	0.125	332K
AIAP-05-392	3900	K	8.63	0.12	0.100	392K
AIAP-05-472	4700	K	10.5	0.11	0.100	472K
AIAP-05-562	5600	K	13.9	0.10	0.082	562K
AIAP-05-682	6800	K	16.3	0.09	0.082	682K
AIAP-05-822	8200	K	20.8	0.08	0.065	822K
AIAP-05-105	10000	K	26.4	0.08	0.050	102K
AIAP-05-123	12000	K	29.9	0.07	0.050	123K
AIAP-05-153	15000	K	42.5	0.06	0.039	153K
AIAP-05-183	18000	K	48.3	0.06	0.039	183K

Table #1

ABRACON IS
ISO 9001:2008
CERTIFIED



Visit www.abracon.com for Terms & Conditions of Sale Revised: 10.16.12
30332 Esperanza, Rancho Santa Margarita, California 92688
tel 949-546-8000 | fax 949-546-8001 | www.abracon.com

Axial Power Inductor

AIAP-05

 RoHS/RoHS II Compliant



Test Conditions

Test frequency: 1kHz, 0.1Vrms, 0ADC

Isat: 5% inductance drops typical

Irms: Temperature rise 35°C max

Operating Temperature

-55°C ~ +130°C

Storage Temperature

-40°C ~ +85°C

PART NUMBER IDENTIFICATION

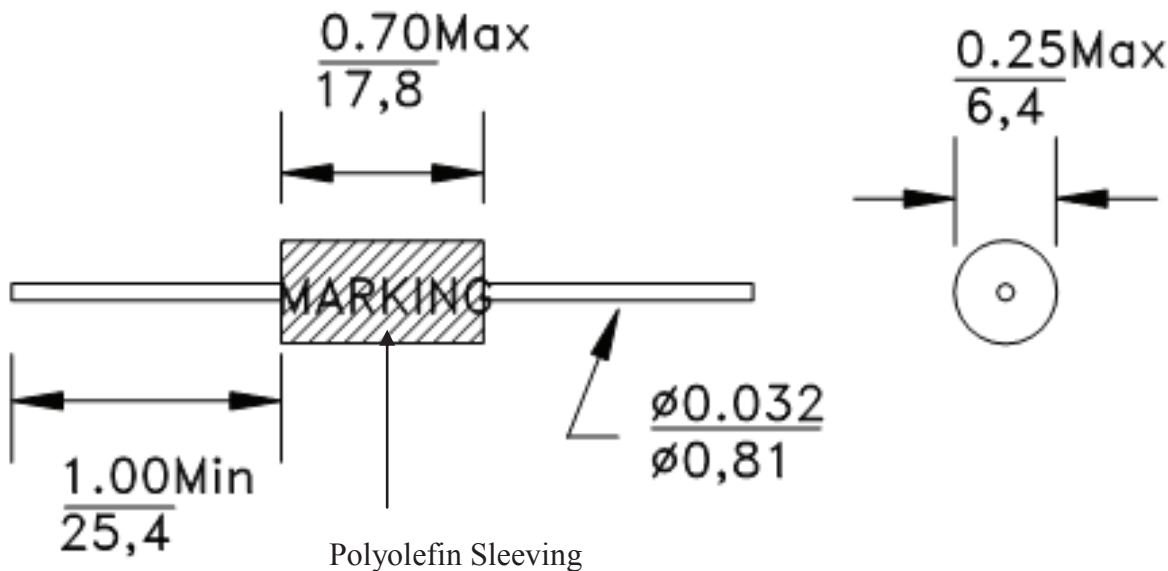
AIAP-05-

Packing (100pcs / bag)

Inductance Code

Please refer to table #1

OUTLINE DRAWING:



Dimension: inch/mm

ATTENTION: Abracon Corporation's products are COTS – Commercial-Off-The-Shelf products; suitable for Commercial, Industrial and, where designated, Automotive Applications. Abracon's products are not specifically designed for Military, Aviation, Aerospace, Life-dependant Medical applications or any application requiring high reliability where component failure could result in loss of life and/or property. For applications requiring high reliability and/or presenting an extreme operating environment, written consent and authorization from Abracon Corporation is required. Please contact Abracon Corporation for more information.

ABRACON IS
ISO 9001:2008
CERTIFIED



Visit www.abracon.com for Terms & Conditions of Sale Revised: 10.16.12
30332 Esperanza, Rancho Santa Margarita, California 92688
tel 949-546-8000 | fax 949-546-8001 | www.abracon.com