

AFS868.30N01-SS3 868.30MHz SMD SAW Filter



3.8 x 3.8 x 1.25mm

AFS868.30N01-SS3



RoHS
Compliant

FEATURES:

- Low Insertion Loss 3.1dB typical
- Compact SMD package 3.8 x 3.8 x 1.25mm
- Suitable for RoHS compliant reflow
- High Input Maximum Power 17dBm
- Industrial wide temp range -45°C to +125°C

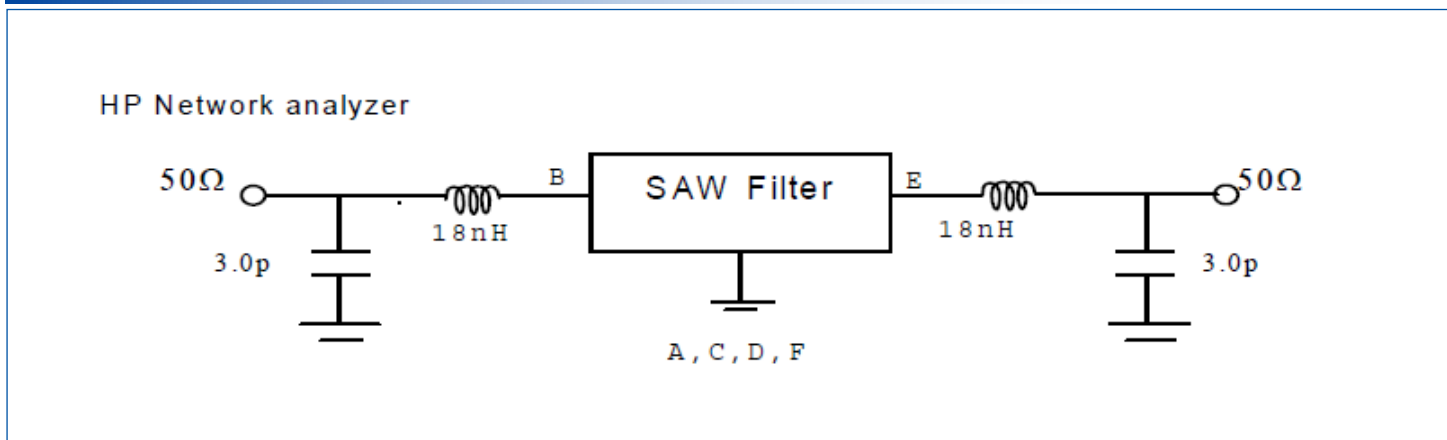
APPLICATIONS:

- Wireless car alarm, Garage door opener. (RKE)
- Mobile Communications systems
- Remote controller
- RF receiver

STANDARD SPECIFICATIONS:

Parameters		Minimum	Typical	Maximum	Units	Notes
Center Frequency (F _c)		-----	868.30	-----	MHz	
Insertion Loss (IL)		-----	3.1	3.8	dB	
Pass Band (relative to IL _{min})	868.1 ~ 868.5 MHz	-----	0.6	2.0	dB	
	868.0 ~ 868.6 MHz	-----	0.9	3.0		
Pass Bandwidth (relative to IL _{min}) (BW)		-----	1300	-----	kHz	
Attenuation (reference from IL _{min})		40	45	-----	dB	10 ~ 830MHz
		35	40	-----	dB	830 ~ 850MHz
		25	28	-----	dB	850 ~ 865.2MHz
		15	24	-----	dB	871 ~ 874.5MHz
		22	26	-----	dB	874.5 ~ 883MHz
		30	35	-----	dB	883 ~ 900MHz
		40	45	-----	dB	900 ~ 1000MHz
Impedance at F _c	Input Z _{IN} =R _{IN} //C _{IN}	210Ω//2.1pF				
	Output Z _{out} =R _{out} //C _{out}	210Ω//2.1pF				
Operation Temperature Range		-45	-----	+120	°C	
Storage Temperature Range		-45	-----	+120	°C	
DC Permissive Voltage		-----	-----	0	Vdc	
Maximum Input Power		-----	-----	17	dBm	

TEST CIRCUIT



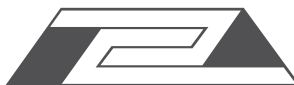
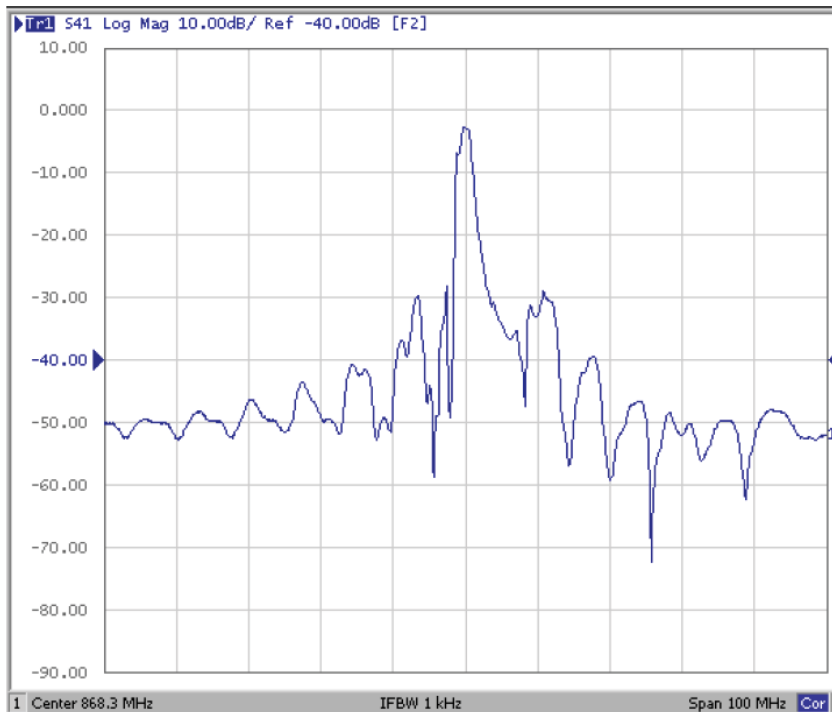
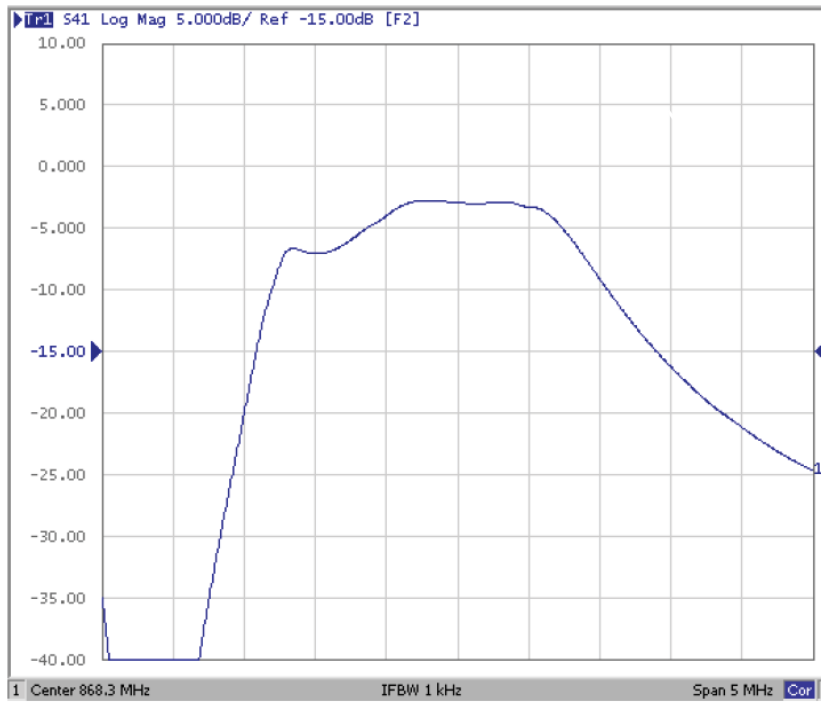


RoHS
Compliant



3.8 x 3.8 x 1.25mm

➤ FREQUENCY CHARACTERISTIC



AFS868.30N01-SS3 868.30MHz SMD SAW Filter

AFS868.30N01-SS3

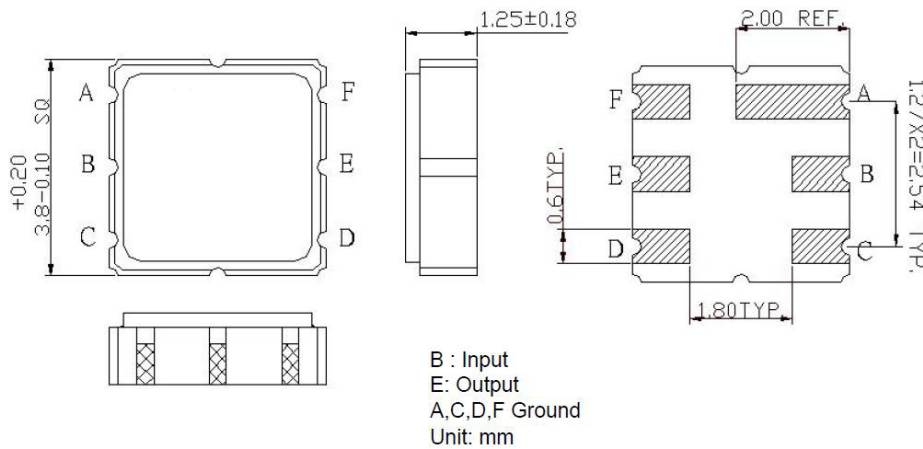


RoHS
Compliant

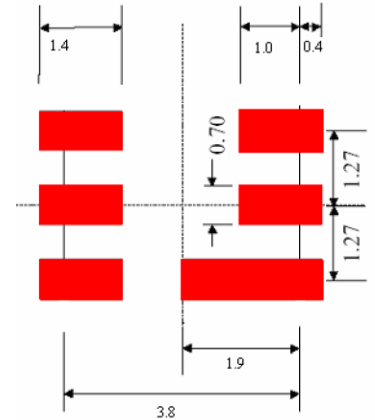


3.8 x 3.8 x 1.25mm

OUTLINE DRAWING:

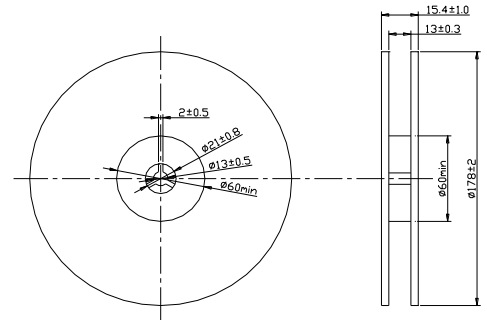
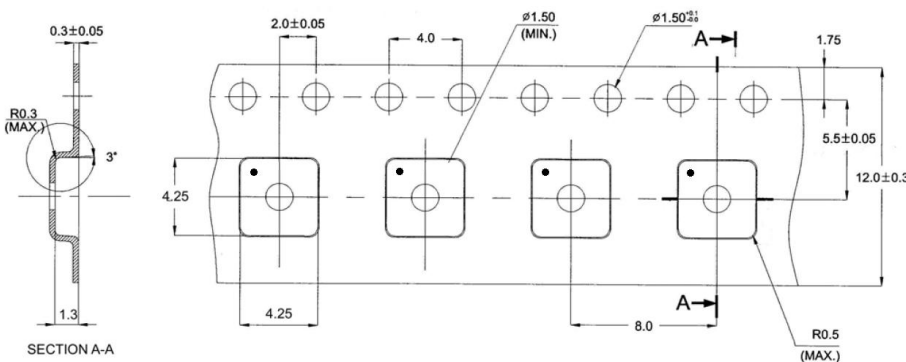


Recommended Land Pattern



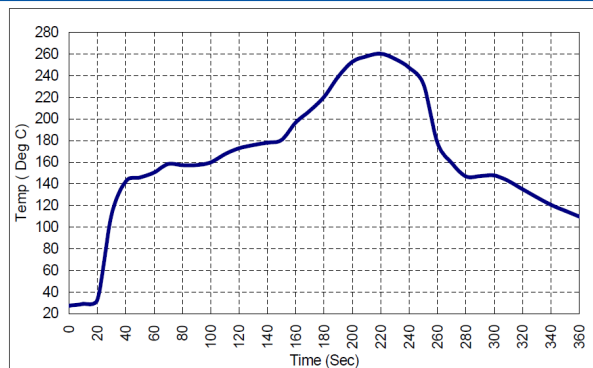
Dimensions: mm

PACKAGING: 1000pcs/reel



Dimensions: mm

REFLOW PROFILE



ATTENTION: Abracon Corporation's products are COTS – Commercial-Off-The-Shelf products; suitable for Commercial, Industrial and, where designated, Automotive Applications. Abracon's products are not specifically designed for Military, Aviation, Aerospace, Life-dependant Medical applications or any application requiring high reliability where component failure could result in loss of life and/or property. For applications requiring high reliability and/or presenting an extreme operating environment, written consent and authorization from Abracon Corporation is required. Please contact Abracon Corporation for more information.

ABRACON IS
ISO 9001:2008
CERTIFIED



ABRACON
CORPORATION

Visit www.abracon.com for Terms & Conditions of Sale

Revised: 06.07.11

30332 Esperanza, Rancho Santa Margarita, California 92688

tel 949-546-8000 | fax 949-546-8001 | www.abracon.com