

SMD 433.92MHz SAW Filter

AFS433.92N07-TS4

MSL level: 1



RoHS
Compliant



3.0 x 3.0 x 1.5 mm

FEATURES:

- Low loss 2.7dB
- Low amplitude ripple 1.3dB
- 3.0 x 3.0 x 1.5mm package

APPLICATIONS:

- Garage opener
- Wireless car alarm
- Remote keyless entry

STANDARD SPECIFICATIONS:

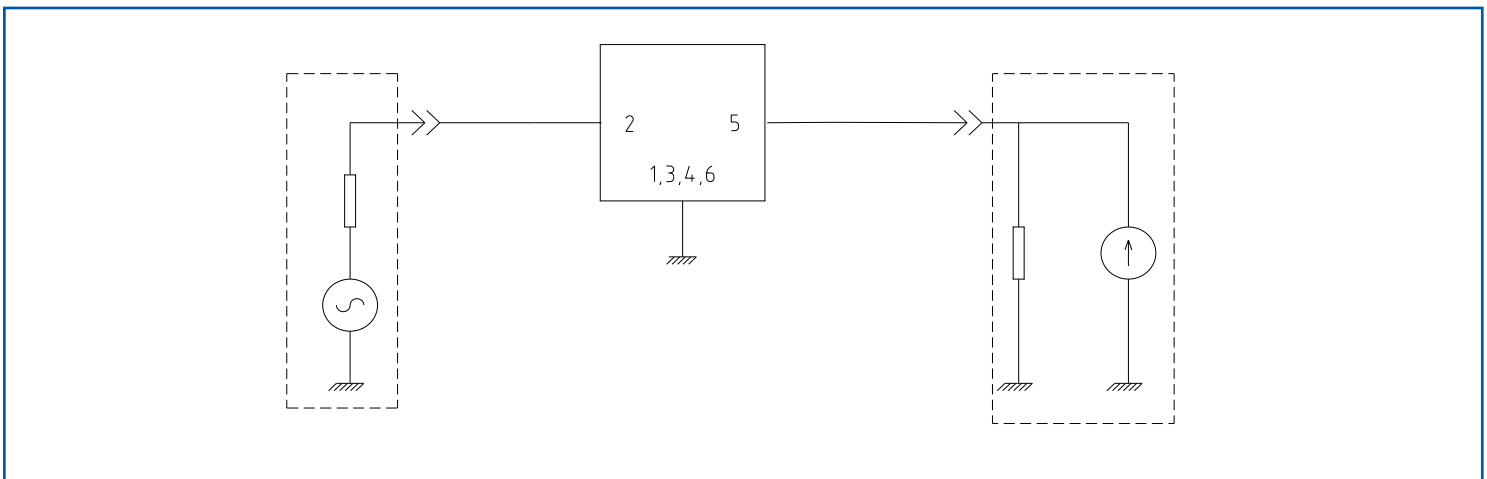
Maximum Ratings

Item	Value
Operating Temperature Range	-40°C to +105°C
Storage Temperature Range	-45°C to +125°C
Permissible DC Voltage	0V DC max.
Maximum Input Power	0 dBm

Electrical Characteristics

Parameters	Minimum	Typical	Maximum	Units	Notes
Center Frequency (f_0)	-----	433.92	-----	MHz	
Insertion Loss	-----	-----	2.7	dB	433.00 ~ 434.71MHz
Amplitude Ripple	-----	-----	1.3	dB	433.00 ~ 434.71MHz
Relative Attenuation	55	-----	-----	dB	10.00 ~ 380.00MHz
	49	-----	-----		380.00 ~ 413.50MHz
	40	-----	-----		413.50 ~ 424.00MHz
	25	-----	-----		443.75 ~ 454.00MHz
	35	-----	-----		454.00 ~ 470.00MHz
	48	-----	-----		470.00 ~ 650.00MHz
	40	-----	-----		650.00 ~ 1000.00MHz
Temperature Coefficient of Frequency	-----	-30	-----	ppm/k ²	

TEST CIRCUIT



SMD 433.92MHz SAW Filter

AFS433.92N07-TS4

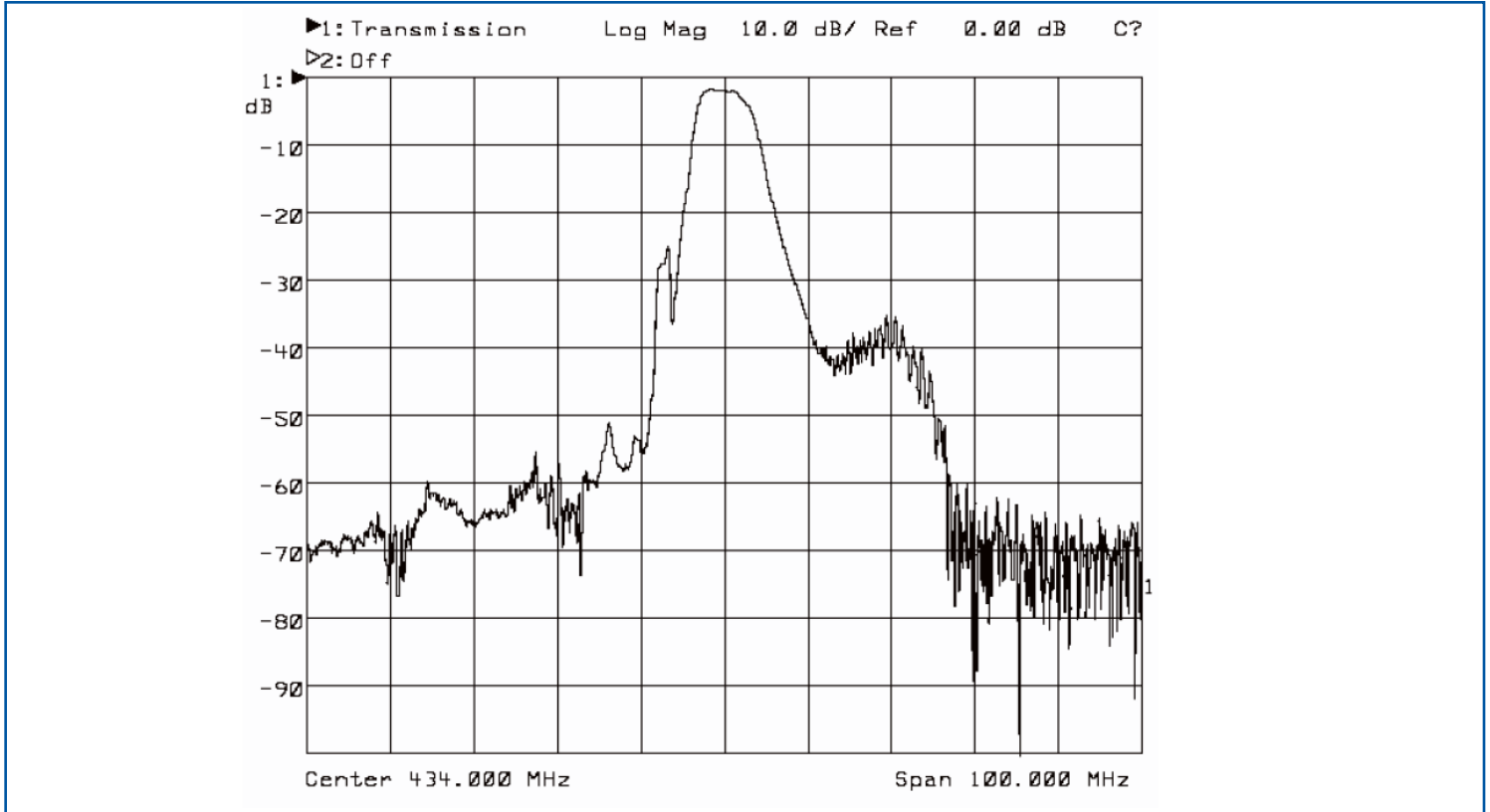


RoHS
Compliant

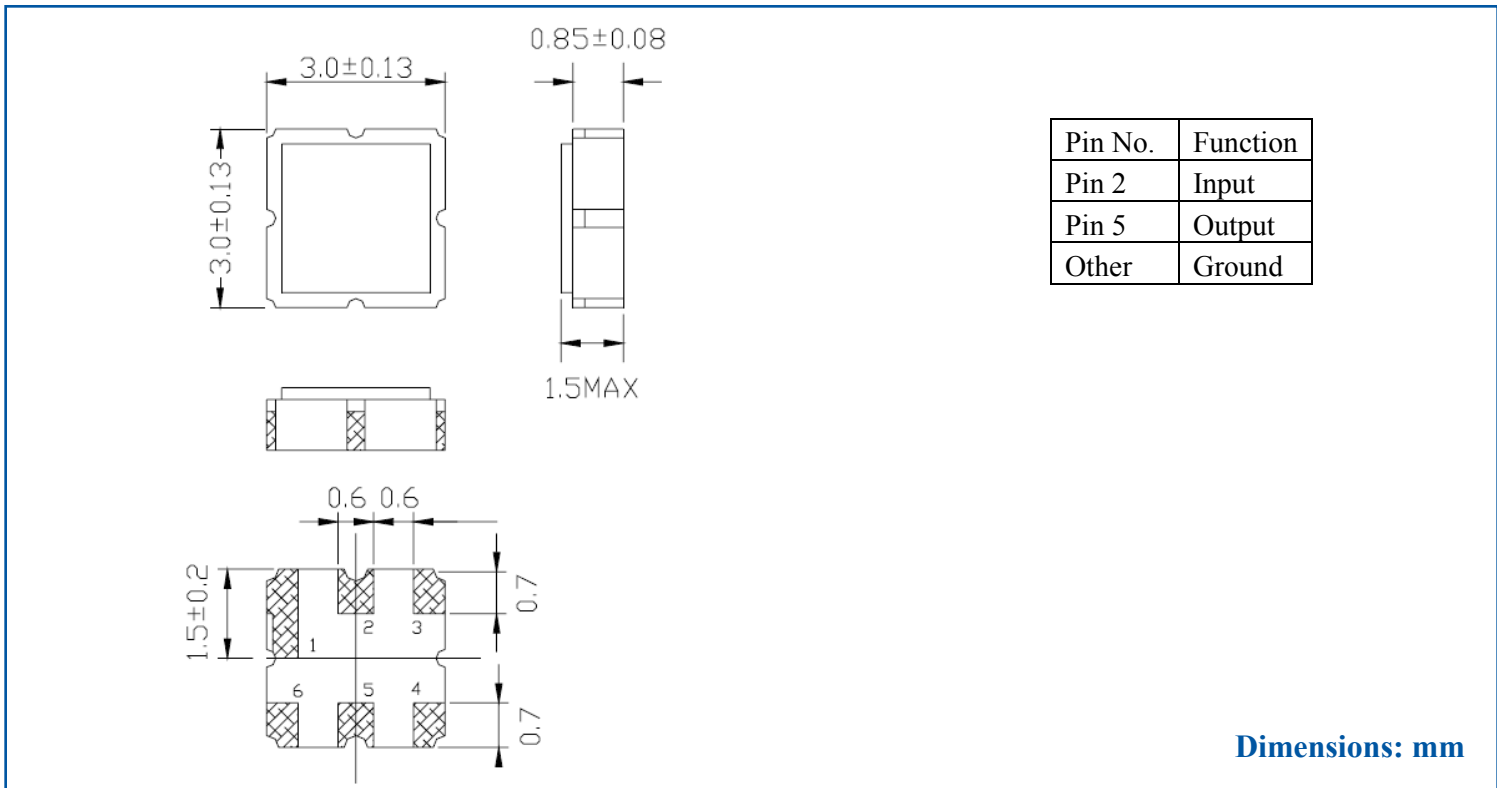


3.0 x 3.0 x 1.5 mm

FREQUENCY CHARACTERISTICS



OUTLINE DIMENSIONS:



SMD 433.92MHz SAW Filter

AFS433.92N07-TS4

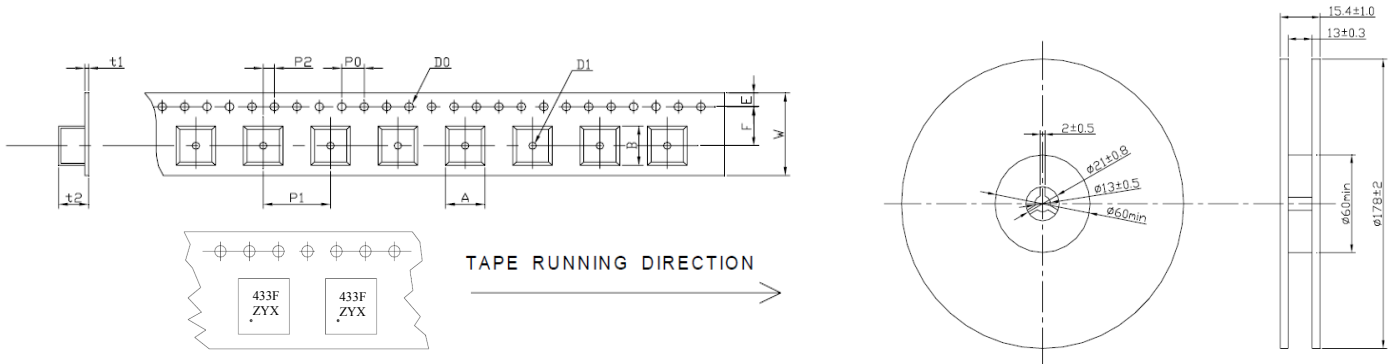


RoHS
Compliant



3.0 x 3.0 x 1.5 mm

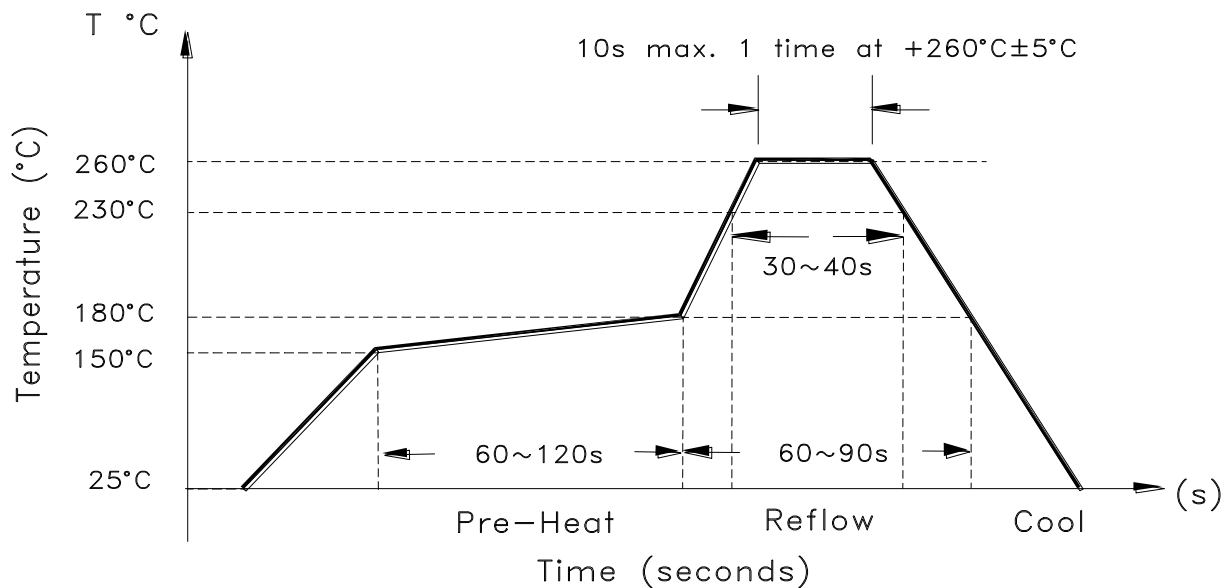
TAPE AND REEL: 3,000pcs/reel



W	F	E	P0	P1	P2	D0	D1	t1	t2	A	B
12.0 ± 0.3	5.5 ± 0.1	1.75 ± 0.1	4.0 ± 0.2	4.0 ± 0.1	2.0 ± 0.2	Φ1.5 ± 0.1	Φ1.5 ± 0.25	0.31 max.	1.95 max.	3.3 max.	3.3 max.

Dimensions: mm

REFLOW PROFILE:



ATTENTION: Abracon Corporation's products are COTS – Commercial-Off-The-Shelf products; suitable for Commercial, Industrial and, where designated, Automotive Applications. Abracon's products are not specifically designed for Military, Aviation, Aerospace, Life-dependant Medical applications or any application requiring high reliability where component failure could result in loss of life and/or property. For applications requiring high reliability and/or presenting an extreme operating environment, written consent and authorization from Abracon Corporation is required. Please contact Abracon Corporation for more information.

ABRACON IS
ISO9001:2008
CERTIFIED



Visit www.abracon.com for Terms & Conditions of Sale
30332 Esperanza, Rancho Santa Margarita, California 92688
tel 949-546-8000 | fax 949-546-8001 | www.abracon.com

Revised: 11.09.11