

ECN/PCN No.: R0056

For Manufacturer			
<b>Product Description:</b> 406.1 MHz SAW Filter	<b>Abracon Part Number / Part Series:</b> AFS406.1W01-TS31	<input type="checkbox"/> Documentation only <input type="checkbox"/> ECN <input checked="" type="checkbox"/> EOL	<input type="checkbox"/> Series <input type="checkbox"/> Part Number
<b>Affected Revision:</b> N/A	<b>New Revision:</b> EOL	<b>Application:</b>	<input type="checkbox"/> Safety <input checked="" type="checkbox"/> Non-Safety
<b>Prior to Change:</b>  N/A			
<b>After Change:</b>  EOL			
<b>Cause/Reason for Change:</b>  Standard periodical product review.			
Change Plan			
<b>Effective Date:</b> 08/03/21	<b>Additional Remarks:</b> N/A		
<b>Change Declaration:</b> Standard periodical product review.			
<b>Issued Date:</b> 08/03/2021	<b>Issued By:</b> <i>Bhakti Bilwanikar</i>	<b>Issued Department:</b> Engineering	
<b>Approval:</b> <i>Syed Raza</i> Engineering VP	<b>Approval:</b> <i>Reuben Quintanilla</i> Quality Director	<b>Approval:</b> <i>Ying Huang</i> Purchasing Director	
For Abracon EOL only			
<b>Last Time Buy (if applicable):</b>		<b>Alternate Part Number / Part Series:</b>	
<b>Additional Approval:</b>	<b>Additional Approval:</b>	<b>Additional Approval:</b>	
Customer Approval (If Applicable)			
<b>Qualification Status:</b> <div style="text-align: center;"><input type="checkbox"/> Approved <input type="checkbox"/> Not accepted</div> <i>Note: It is considered approved if there is no feedback from the customer 1 month after ECN/PCN is released.</i>			
<b>Customer Part Number:</b>		<b>Customer Project:</b>	
<b>Company Name:</b>	<b>Company Representative:</b>	<b>Representative Signature:</b>	
<b>Customer Remarks:</b>			

# SURFACE MOUNT 406.1 MHz SAW FILTER

AFS406.1W01-TS31

MSL level: 1

RoHS  
Compliant



3.8 x 3.8 x 1.4 mm

## FEATURES:

- Low Insertion Loss
- Surface Mount Package

## APPLICATIONS:

- RF SAW Filter for Telecommunications

## ELECTRONIC SPECIFICATIONS:

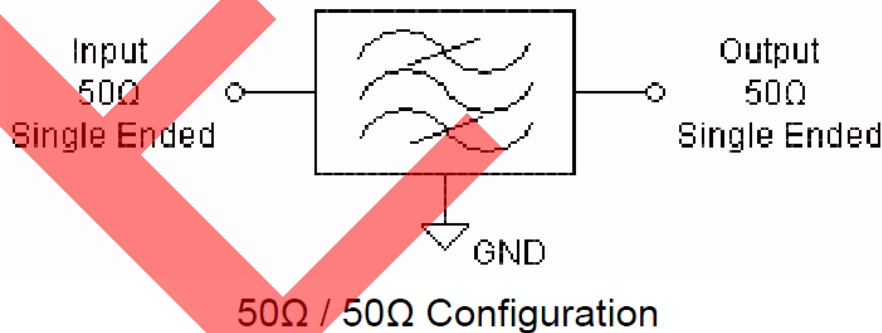
### Maximum Ratings

Item	Value
Operating Temperature Range	-40°C to +85°C
Storage Temperature Range	-45°C to +85°C
DC Voltage (between any terminals)	5V DC
RF Power (in BW)	20 dBm

### Electrical Characteristics

Parameters	Minimum	Typical	Maximum	Units	Notes
Center Frequency ( $f_c$ )	----	406	----	MHz	
Insertion Loss	----	1.7	2.5	dB	
3dB Bandwidth	8.9	9.1		MHz	
40dB Bandwidth		13.8	16	MHz	
Absolute Attenuation	45	52	----	dB	0.3000 ~ 396.0MHz
	40	44	----		416.0 ~ 426.0MHz
	45	47	----		426.00 ~ 1000.0MHz
Source/Load Impedance		50		$\Omega$	Single Ended

## TEST CIRCUIT:



# SURFACE MOUNT 406.1 MHz SAW FILTER

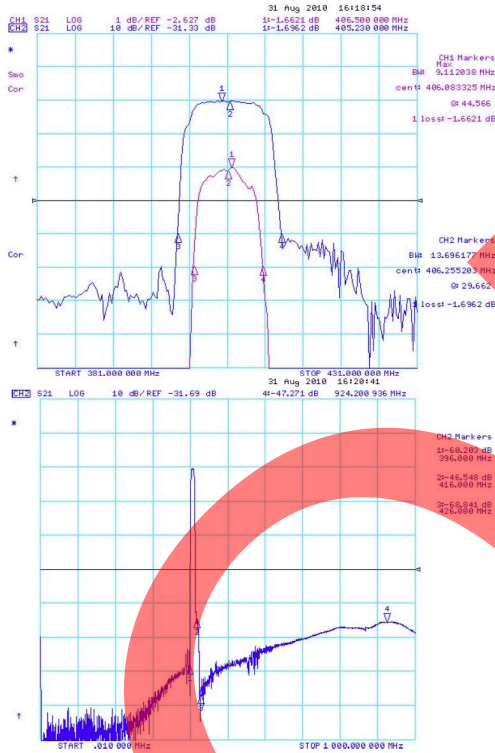
AFS406.1W01-TS31

RoHS  
Compliant

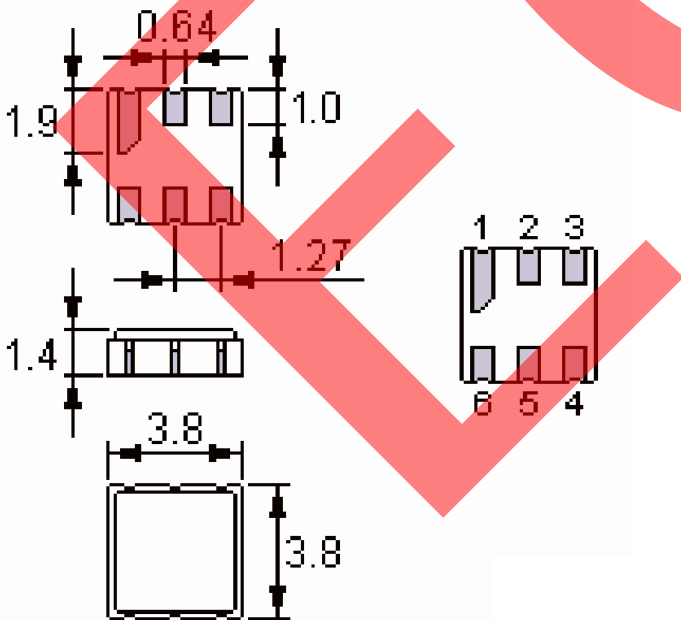


3.8 x 3.8 x 1.4 mm

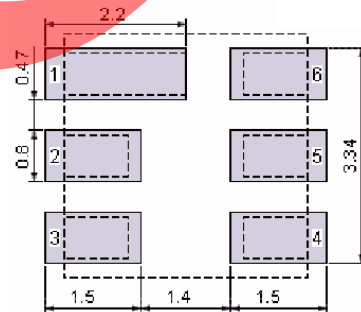
## FREQUENCY CHARACTERS:



## OUTLINE DRAWING:



### Recommended Land Pattern



Pin No.	Function
Pin 2	Input
Pin 5	Output
Pin 1, 3, 4, 6	Case Ground

Dimensions: mm



# SURFACE MOUNT 406.1 MHz SAW FILTER

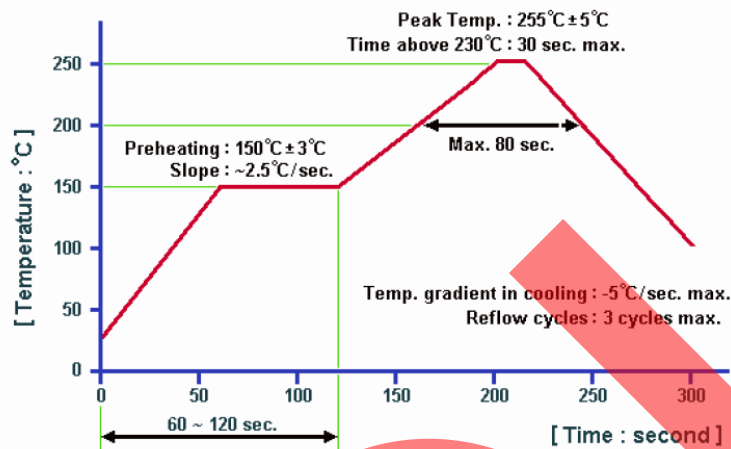
AFS406.1W01-TS31

RoHS  
Compliant



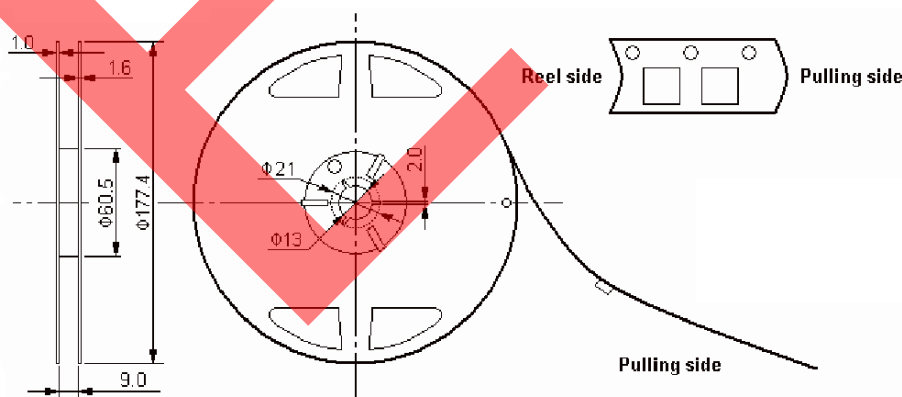
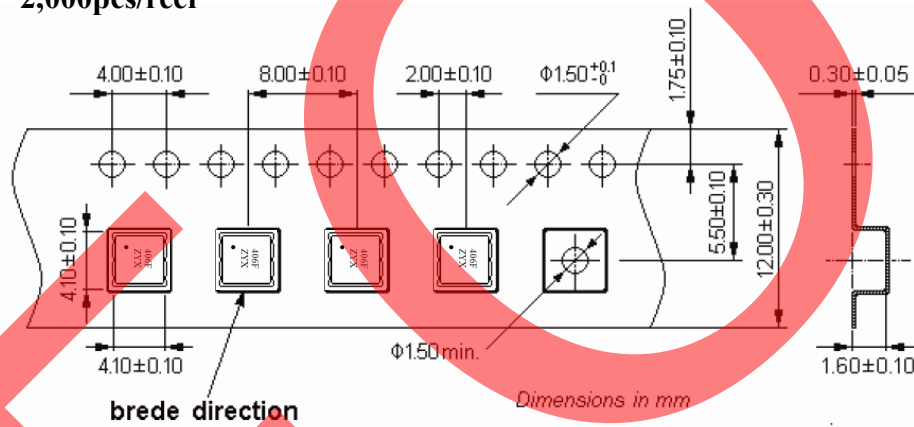
3.8 x 3.8 x 1.4 mm

## REFLOW PROFILE:



## TAPE & REEL:

Packaging: 2,000pcs/reel



**ATTENTION:** Abracon Corporation's products are COTS – Commercial-Off-The-Shelf products; suitable for Commercial, Industrial and, where designated, Automotive Applications. Abracon's products are not specifically designed for Military, Aviation, Aerospace, Life-dependant Medical applications or any application requiring high reliability where component failure could result in loss of life and/or property. For applications requiring high reliability and/or presenting an extreme operating environment, written consent and authorization from Abracon Corporation is required. Please contact Abracon Corporation for more information.

ABRACON IS  
ISO 9001: 2008  
CERTIFIED



Visit [www.abracon.com](http://www.abracon.com) for Terms & Conditions of Sale  
30332 Esperanza, Rancho Santa Margarita, California 92688  
tel 949-546-8000 | fax 949-546-8001 | [www.abracon.com](http://www.abracon.com)

Revised: 1.24.13