

1960MHz SMD SAW FILTER

AFS1960.0W01-TS4



RoHS
Compliant



3.0 x 3.0 x 1.5mm

FEATURES:

- 3.0 x 3.0 x 1.5mm SMD package
- Low Insertion Loss 4.0dB max
- Suitable for RoHS reflow profile
- High input power +10dBm

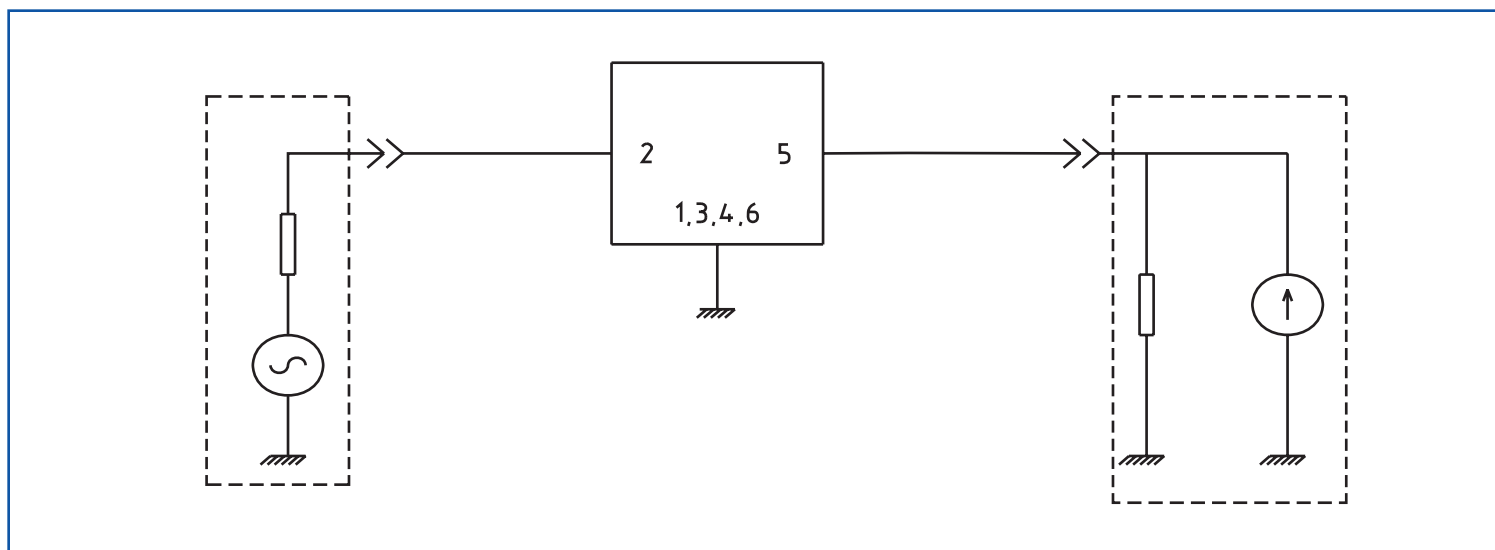
APPLICATIONS:

- WCDMA
- Wireless communication
- PDA

STANDARD SPECIFICATIONS:

Parameters	Minimum	Typical	Maximum	Units	Notes
Center Frequency (f_0)	1960			MHz	
Insertion Loss (Passband)		2.35	4.0	dB	1930 ~ 1990MHz
Amplitude Ripple (Passband)		1.4	2.4	dB	1930 ~ 1990MHz
Stopband Attenuation	20	32		dB	DC ~ 1850MHz
	10	21		dB	1850 ~ 1910MHz
	4.5	10		dB	2010 ~ 2040MHz
	20	50		dB	2040 ~ 2070MHz
	22	29		dB	2070 ~ 5000MHz
VSWR		1.7	2.4		1930 ~ 1990MHz
Source Impedance	50			Ω	
Load Impedance	50			Ω	
Operation Temperature Range	-30		+80	$^{\circ}\text{C}$	
Storage Temperature Range	-40		+85	$^{\circ}\text{C}$	
DC Permissive Voltage			0	Vdc	
Maximum Input Power			+10	dBm	

TEST CIRCUIT:



1960MHz SMD SAW FILTER

AFS1960.0W01-TS4

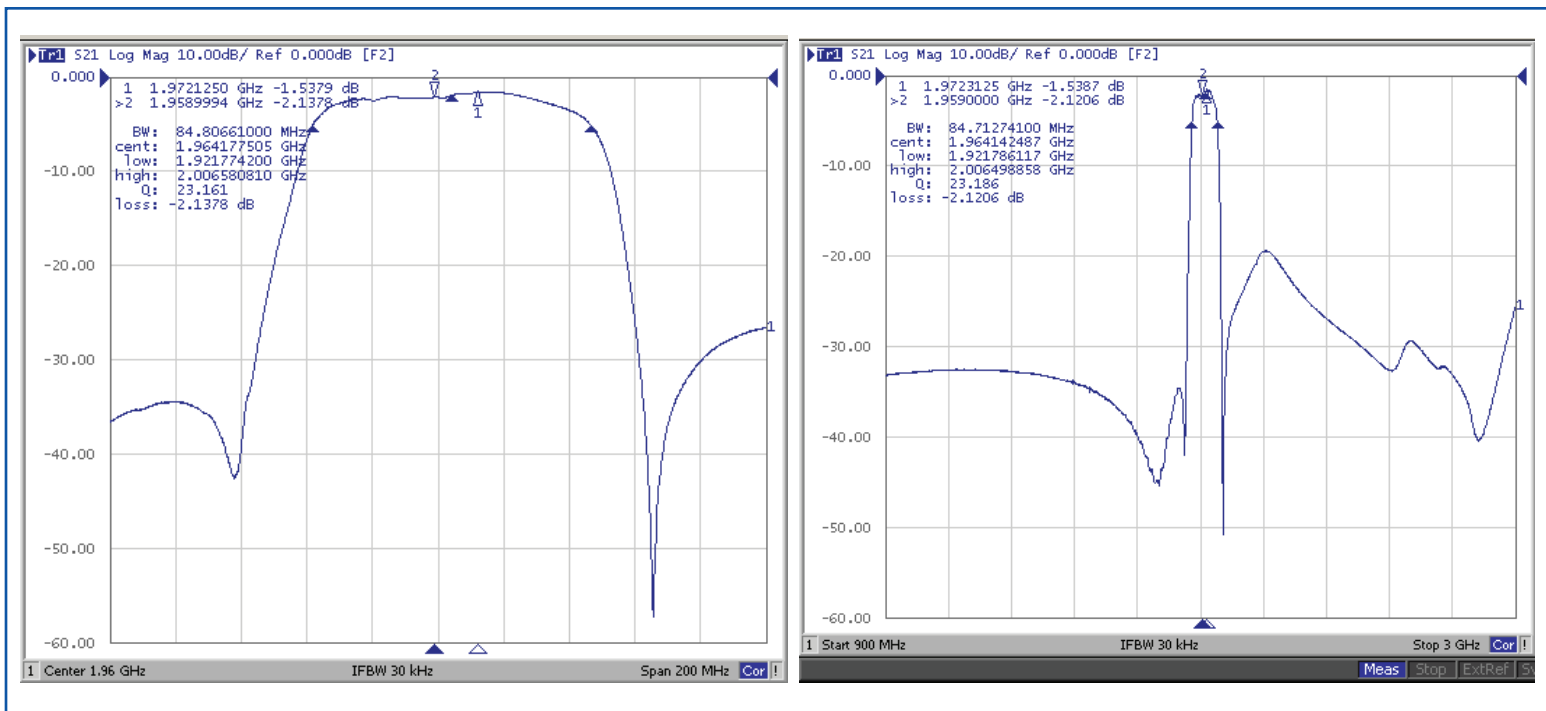


RoHS
Compliant

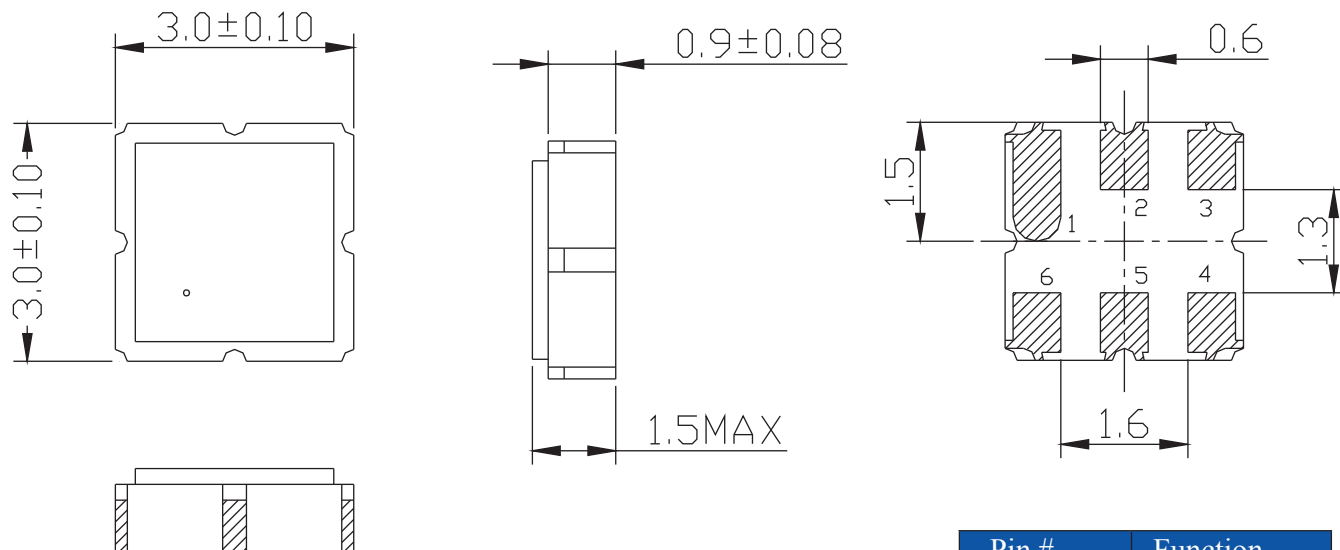


3.0 x 3.0 x 1.5mm

FREQUENCY CHARACTERISTICS:



OUTLINE DIMENSIONS:



Dimensions: mm

Pin #	Function
2	Input
5	Output
Others	GND

1960MHz SMD SAW FILTER

AFS1960.0W01-TS4

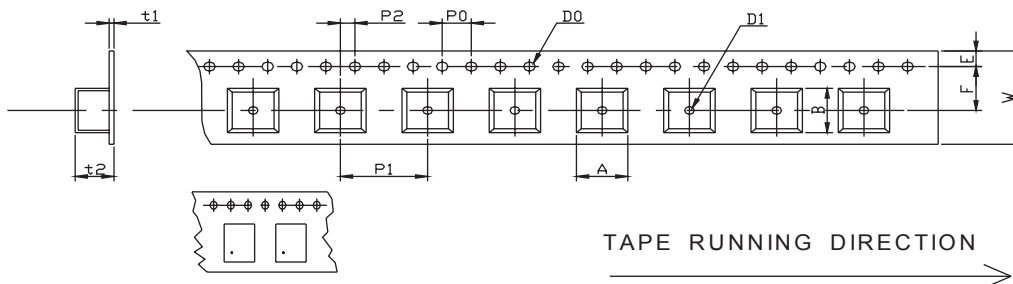


RoHS
Compliant

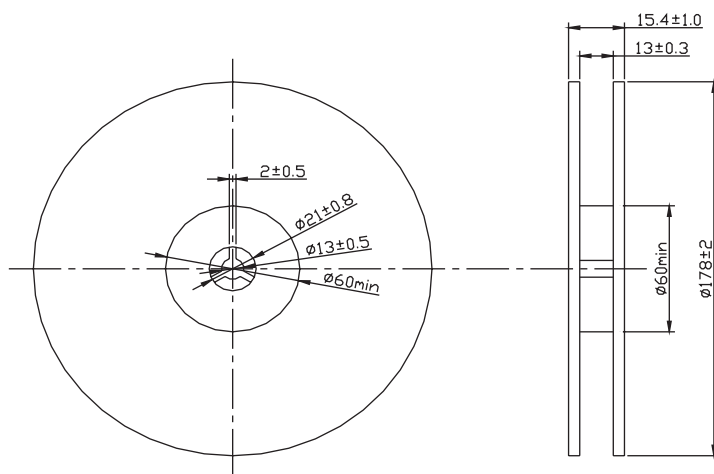


3.0 x 3.0 x 1.5mm

PACKAGING: 3000pcs/reel

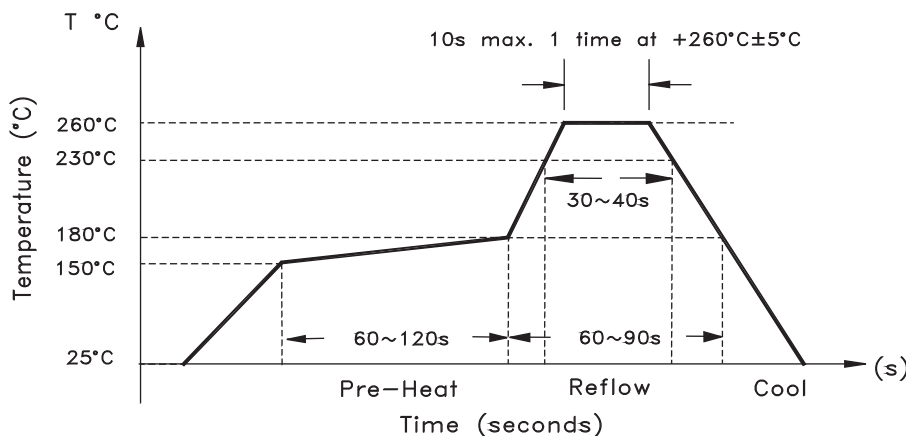


W	F	E	P0	P1	P2	D0	D1	t1	t2	A	B
12.0	5.5	1.75	4.0	4.0	2.0	Φ 1.5	Φ 1.5	0.31	1.7	3.3	3.3
± 0.3	± 0.1	± 0.1	± 0.2	± 0.1	± 0.2	± 0.1	± 0.25	max.	max.	max.	max.



Dimensions: mm

REFLOW PROFILE:



Need a test socket for the AFS1960.0W01-TS4 Series?

To view compatible **PRECISION TEST & BURN-IN SOCKETS** for these parts, [click here](#). P/N **AXS-3030-06-03**

ATTENTION: Abracon Corporation's products are COTS – Commercial-Off-The-Shelf products; suitable for Commercial, Industrial and, where designated, Automotive Applications. Abracon's products are not specifically designed for Military, Aviation, Aerospace, Life-dependant Medical applications or any application requiring high reliability where component failure could result in loss of life and/or property. For applications requiring high reliability and/or presenting an extreme operating environment, written consent and authorization from Abracon Corporation is required. Please contact Abracon Corporation for more information.

ABRACON IS
ISO9001:2008
CERTIFIED



Visit www.abracon.com for Terms & Conditions of Sale **Revised: 10.21.10**
30332 Esperanza, Rancho Santa Margarita, California 92688
tel 949-546-8000 | fax 949-546-8001 | www.abracon.com